

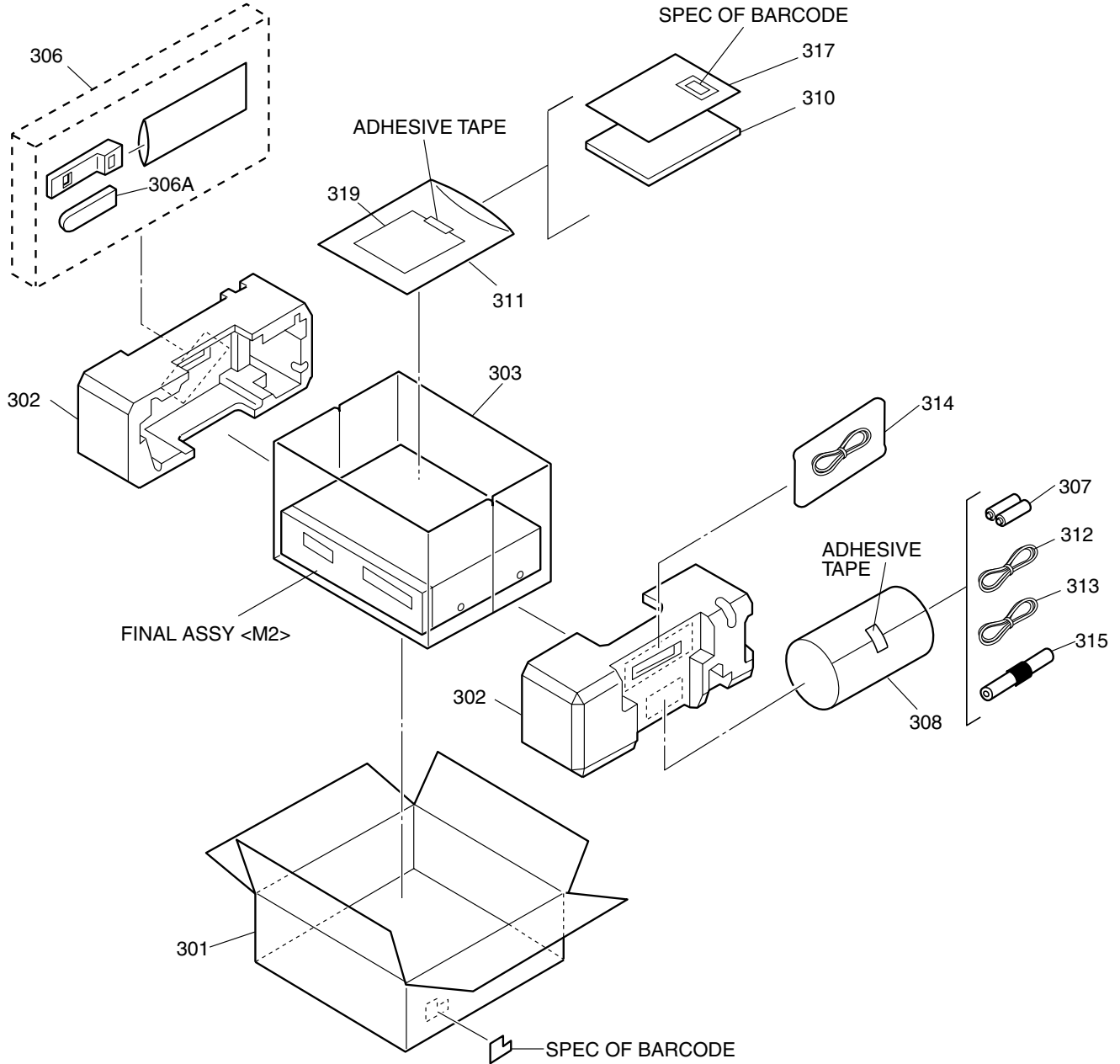
SECTION 5 PARTS LIST

SAFETY PRECAUTION

Parts identified by the \triangle symbol are critical for safety. Replace only with specified part numbers.

5.1 PACKING AND ACCESSORY ASSEMBLY <M1>

The instruction manual to be provided with this product will differ according to the destination.



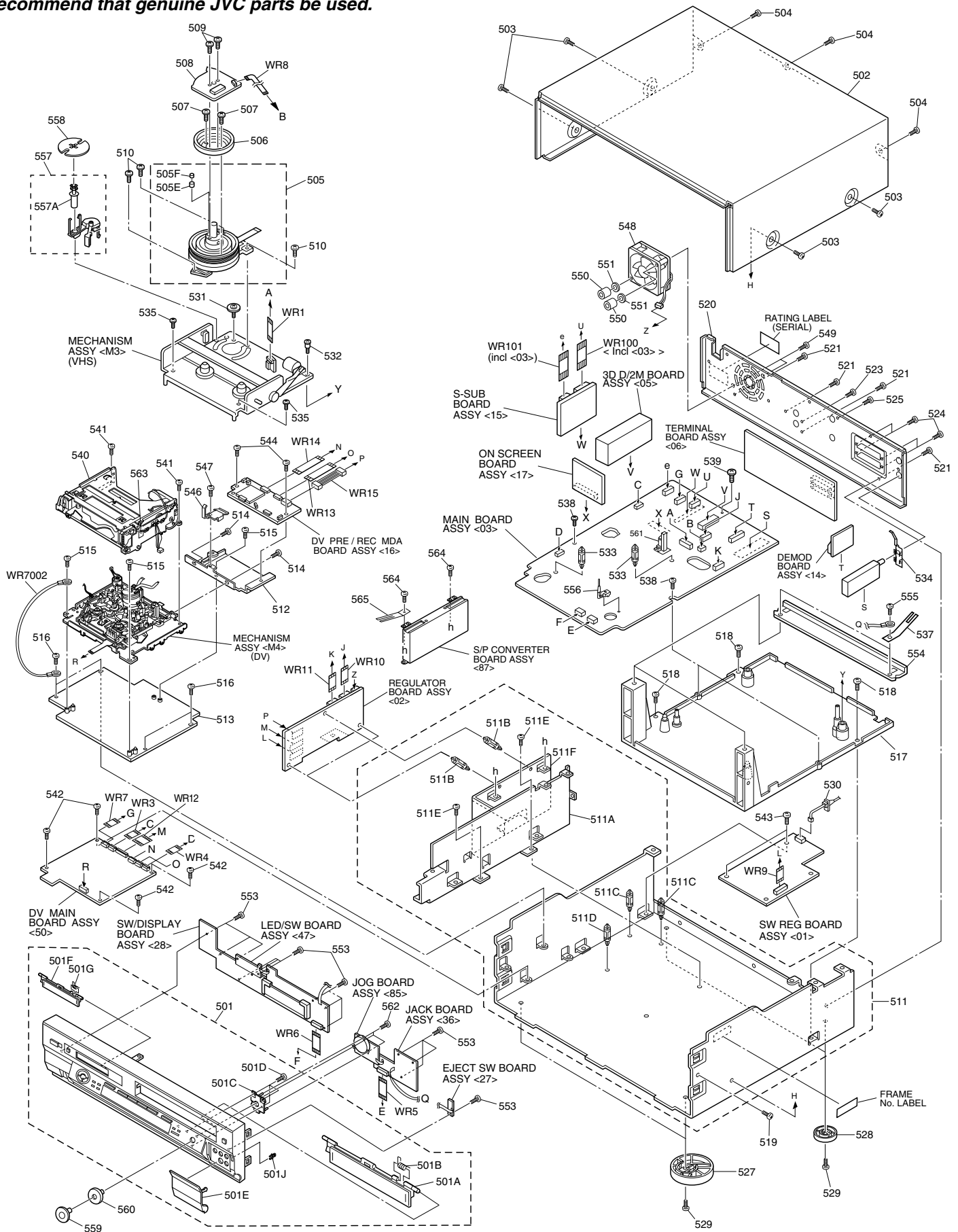
# \triangle REF No.	PART No.	PART NAME, DESCRIPTION	# \triangle REF No.	PART No.	PART NAME, DESCRIPTION

PACKING AND ACCESSORY ASSEMBLY <M1>					
301	LP30823-004A	PACKING CASE	308	QPC02202230P	POLY BAG
302	LP30868-001B	CUSHION ASSY	\triangle 310	LPT0506-001A	INST.BOOK(FR)
303	PQM30021-95	POLY BAG	311	QPA02503503P	POLY BAG
306	LP20873-006A	REMOTE CONTROLLER	312	PEAC0300-02	RF CABLE
306A	LP40254-006A	COVER(BATTERY)	313	QAL0095-005	LED CABLE ASSY (Satellite Controller)
307	-	BATTERY,X2('R6'TYPE)	314	QAM0020-001	PERI CABLE
			315	PEAC0429	P/S CONV PLUG
			317	BT-54008-2	GUARANTY CARD
			319	LPT0002-0F6B	SHEET(ATTENTION)

5.2 FINAL ASSEMBLY <M2>

BEWARE OF BOGUS PARTS

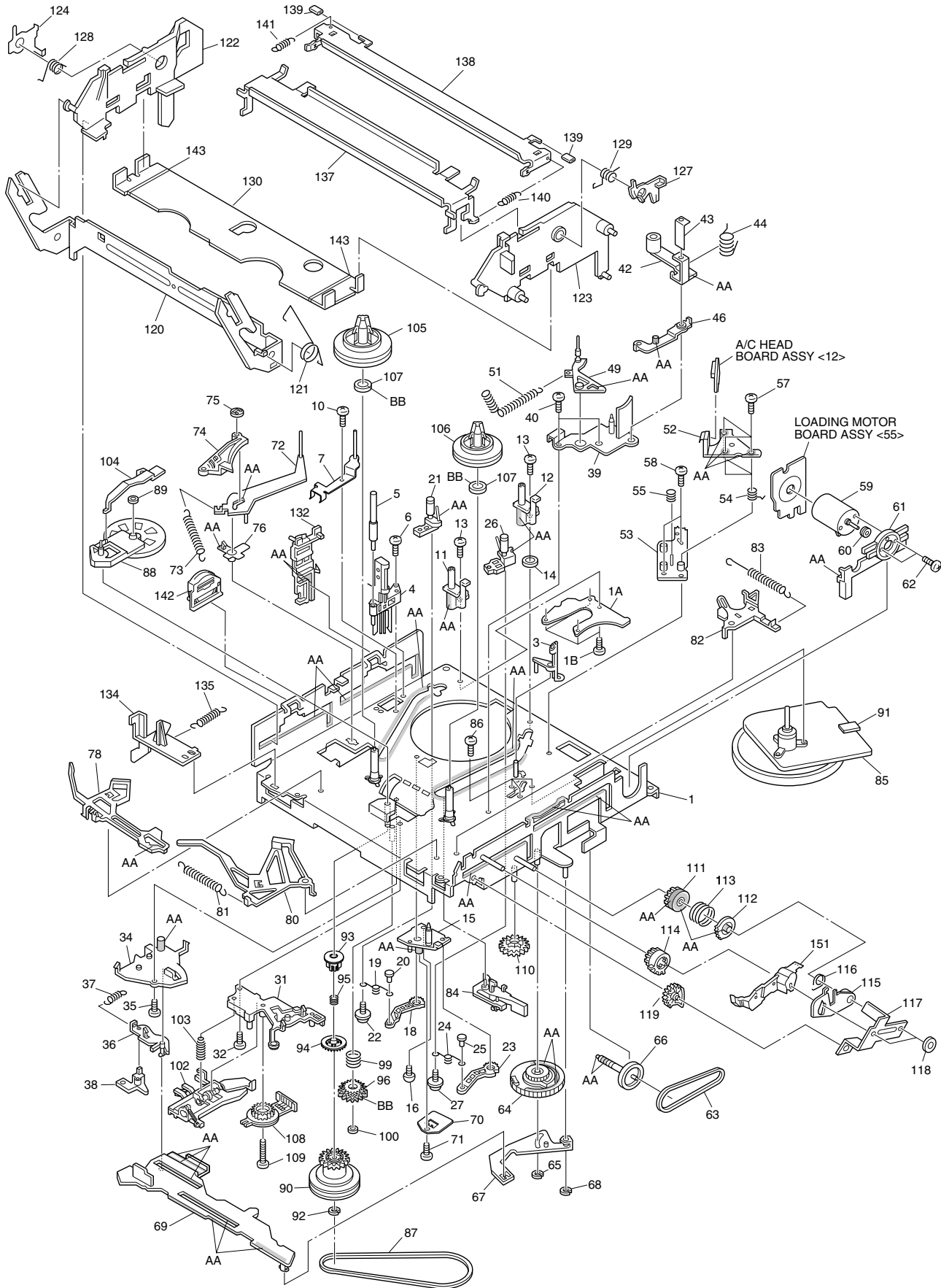
Parts that do not meet specifications may cause trouble in regard to safety and performance. We recommend that genuine JVC parts be used.



#	△	REF No.	PART No.	PART NAME, DESCRIPTION	#	△	REF No.	PART No.	PART NAME, DESCRIPTION

FINAL ASSEMBLY <M2>									
△		501	LP10331-005A	FRONT PANEL ASSY			546	LP30553-001A	EARTH PLATE
		501A	LP20968-002A	CASSETTE DOOR,VHS			547	QYTDST2004Z	SCREW,DV CASS.HOUSING
		501B	PQ46448	TORSION SPRING,VHS			548	QAR0121-001	FAN MOTOR
		501C	LP30757-001A	BASE(J/S)			549	QYTDSP4030M	SCREW,X2
		501D	QYTDSF2608Z	SCREW,X3			550	QYNNS4000Z	NUT,X2
		501E	LP30763-005A	DOOR(JACK)			551	QYWLS4277A0Z	SPRING WASHER,X2
		501F	LP30756-001A	CASSETTE DOOR(DV)			553	QYTDSF2608Z	SCREW,X13 FRONT BOARD
		501G	LP40688-001A	SPRING(DV)			554	LP30312-001B	BRACKET(CHASSIS)
		501J	PU60109	CATCHER			555	QYTDSF3010Z	SCREW,X2
△		502	LP10128-006A	TOP COVER			556	LP40407-001A	KNOB ASSY
		503	QYTDST3006R	SCREW,X4 TOP COVER(SIDE)			557	LP40370-001E	ROLLER ARM ASSY
		504	QYTDST3006M	SCREW,X3 TOP COVER(REAR)			557A	PDM4311A-1	ROLLER ASSY
		505	LP20617-016A	DRUM SUB ASSY			558	PQ45160	INERTIA PLATE
		505E	LP40323-001A	CONTACT			559	LP30760-001B	KNOB(JOG)
		505F	LP30004-014A	COMPRESION SPRING			560	LP30761-001C	KNOB(SHUTTLE)
		506	PDZ0179-1-4	ROTOR ASSY			561	LP40253-001B	STOPPER
		507	QYSPSP3006Z	SCREW,X2			562	QYTDSF2608Z	SCREW,X3 JOG
△		508	QAR0119-001	STATOR ASSY			563	LP30002-083A	SPACER,DV MECHA
		509	QYSPSPH2606Z	SCREW,X2			564	QYTDST3006Z	SCREW,X2 S/P CONVERTER
		510	QYTDST2610Z	SCREW,X3 DRUM			565	PQ41556	EARTH PLATE,S/P CONVERTER
		511	LP10156-004B	BOTTOM CHASSIS ASSY			WR1	WJT0005-002A	E-CARD WIRE,A/C HEAD CN2001
		511A	LP10130-002B	BRACKET(1)			WR3	QUQ210-0830CC	FFC WIRE,DV MAIN CN2601
		511B	PEME0834	SPACER (BOARD),X3			WR4	QUQ210-0620CC	FFC WIRE,DV MAIN CN3014
		511C	LP40696-001A	HOLDER(BOARD),X2			WR5	QUQ112-1610CG	FFC WIRE,FRONT CN7507
		511D	LP40696-002A	HOLDER(BOARD)			WR6	QUQ112-1810CG	FFC WIRE,FRONT CN3011
		511E	QYTDST3006Z	SCREW,X7			WR7	QJN019-063411	SHI CR C-C WIRE,DV MAIN CN703
		511F	LP20355-001B	BRACKET(2)			WR8	QUQ212-0516CG	FFC WIRE,DRUM CN3001
		512	LP30352-001B	BRACKET(DV),MECHA			WR9	QUQ212-1910CG	FFC WIRE,SW/REG CN5301
		513	LP20359-001B	BASE(2),DV MECHA			WR10	QUQ212-1330CG	FFC WIRE,REG CN7508
		514	QYTDST2004Z	SCREW,X2 DV MECHA			WR11	QUQ212-1540CG	FFC WIRE,REG CN7509
		515	QYTDSF2606Z	SCREW,X3 DV MECHA			WR12	QJJ001-101400	SIN CR C-C WIRE,DV MAIN CN532
		516	QYTDST3006Z	SCREW,X4 BASE(2)			WR13	QUQ105-2010AA	FFC WIRE,DV PRE/REC CN1501
		517	LP20939-001C	BASE(1),VHS			WR14	QUQ105-2610AA	FFC WIRE,DV PRE/REC CN2001
		518	QYTDST3006Z	SCREW,X3 BASE(1)			WR15	QJJ001-051100	SIN CR C-C WIRE,DV PRE/REC
		519	QYTDSF3010Z	SCREW,BOTTOM CHASSIS			WR16	QUQ112-0812CG	FFC WIRE,S/P CONVERTER CN701
△		520	LP10339-001A	REAR COVER			WR7002	QUB220-05XLXL	SIN TWIST WIRE
		521	QYTDST3006M	SCREW,X5 REAR COVER					
		523	QYTDSF3008M	SCREW,JACK					
		524	QYTDSF3008M	SCREW,X4 PERI					
		525	QYTDSF3008M	SCREW,S JACK					
		527	PQ46617C	FOOT ASSY,X2					
		528	PQ35504	FOOT(2),X2					
		529	QYTDST3006Z	SCREW,X4					
△		530	QMP4A10-170	POWER CORD					
		531	PQ40413	SPECIAL SCREW,VHS MECHA					
		532	LP40700-001A	SPECIAL SCREW,VHS MECHA					
		533	LP40226-001A	PC SUPPORT,X2					
		534	PQ21623-2-5	EARTH PLATE(RF)					
		535	QYTDSF3010Z	SCREW,X2 VHS MECHA					
		537	PQ41556	EARTH PLATE					
		538	QYTDSF3010Z	SCREW,X2 VHS MAIN					
		539	QYTDST3006Z	SCREW,VHS MAIN					
		540	LY30428-004A	CASSETTE HOUSING ASSY,DV					
		541	QYTDSP2004Z	SCREW,X2					
		542	QYTDST3006Z	SCREW,X4 DV MAIN					
		543	QYTDST3006Z	SCREW,X2 SW.RWG					
		544	QYTDST3006Z	SCREW,X2 PRE/REC MDA					

5.3 MECHANISM ASSEMBLY (VHS) <M3>



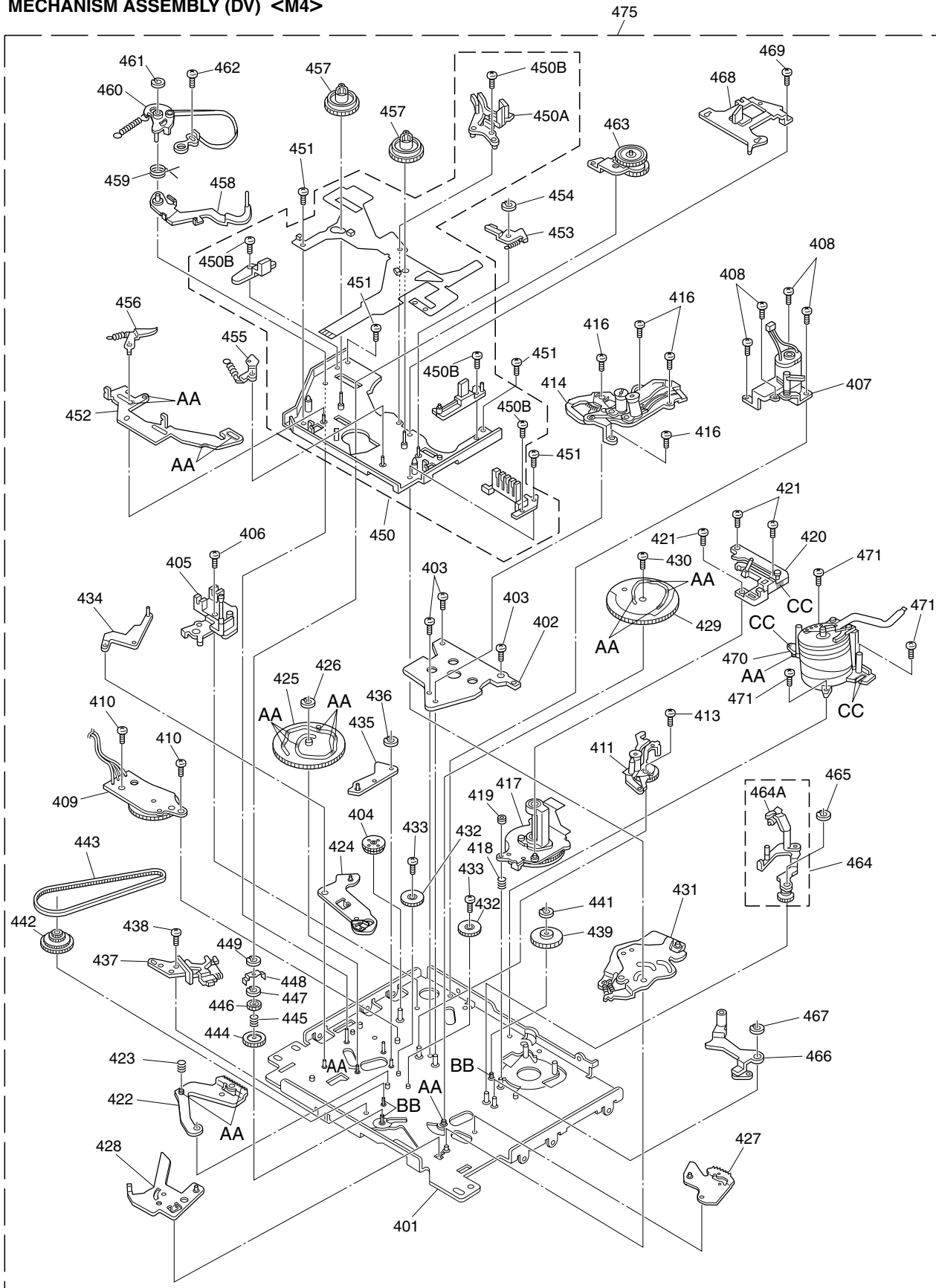
Classification	Part No.	Symbol in drawing
Grease	KYODO-SH-P	AA
Oil	COSMO-HV56	BB

NOTE: This section indicates that the grease and oil are to be applied on locations marked with AA and BB. During checking and servicing, check if grease has been applied on the locations marked with AA and oil on the locations marked with BB.

#	△	REF No.	PART No.	PART NAME, DESCRIPTION	#	△	REF No.	PART No.	PART NAME, DESCRIPTION

MECHANISM ASSEMBLY(VHS) <M3>									
1			LP20821-002F	MAIN DECK ASSY	72			LP40108-002A	TENSION ARM ASSY
1A			LP40275-004B	PLATE(SUPPLY)	73			LP30003-010A	TENSION SPRING
1B			QYTDST2605Z	SCREW,X4	74			LP40109-003D	TENSION BRAKE ASSY
3			LP30492-002B	GIDE POLE GUARD	75			PQ46302-1-3	ADJUST PIN
4			NAH0001-001	FULL ERASE HEAD	76			LP30232-002A	TENSION ARM BEARING
5			LP40098-001B	GUIDE POLE(SUPPLY)	78			LP40532-009B	MAIN BRAKE ASSY (SUPPLY)
6			QYTDST2608Z	SCREW,FE HEAD	80			LP40111-014C	MAIN BRAKE ASSY (TAKE UP)
7			LP40637-002A	TENSION STUD BASE ASSY	81			LP30003-029A	TENSION SPRING
10			QYTDST2606Z	SCREW	82			LP40112-001F	SUB BRAKE ASSY(TAKE UP)
11			LP30409-002C	UV CATCHER 2(SUPPLY)	83			LP40357-001B	TENSION SPRING
12			LP30409-002C	UV CATCHER 2(TAKE UP)	84			LP40461-001A	CAPSTAN BRAKE ASSY
13			QYTPST2606Z	SCREW,X2	85			QAR0132-001	CAPSTAN MOTOR
14			PQ40919-10	SPACER	86			QYTDST2606M	SCREW,X3
15			LP30223-003C	LOADING ARM GEAR SHAFT	87			LP30005-008A	BELT,CAPSTAN MOTOR
16			QYTDST2606Z	SCREW	88			LP40114-011B	IDLER ARM ASSY
18			LP30224-001B	LOADING ARM GEAR(SUPPLY)	89			LP30016-001A	SLIT WASHER
19			LP40099-001A	TORSION ARM	90			LP40593-003B	CLUTCH UNIT 3
20			LP40100-001A	PIN	91			LP30002-097A	SPACER,CAPSTAN MOTOR
21			LP40101-006A	POLE BASE ASSY(SUPPLY)	92			PQM30017-47	SLIT WASHER
22			QYSPSTG2606Z	SCREW	93			LP30696-002A	CLUTCH GEAR 4
23			LP40103-002B	LOADING ARM GEAR(TAKE UP)	94			LP30697-003A	COUPLING GEAR
24			LP40099-001A	TORSION ARM	95			LP40554-002A	COMPRESSION SPRING
25			LP40100-001A	PIN	96			LP40442-001A	DIRECT GEAR
26			LP40104-006A	POLE BASE ASSY(TAKE UP)	99			LP40483-002A	COMPRESSION SPRING
27			QYSPSTG2606Z	SCREW	100			LP30016-001A	SLIT WASHER
31			LP20233-004B	ROTARY ENCODER GUIDE	102			LP40484-003B	CHANGE LEVER ASSY
32			QYTPST2606Z	SCREW	103			LP40512-002B	COMPRESSION SPRING
34			LP30226-004E	CONTROL PLATE GUIDE	104			LP30236-002C	IDLER LEVER
35			QYTPST2605Z	SCREW	105			LP20237-003B	REEL DISK ASSY(SUPPLY)
36			LP30249-003B	TAKE UP LEVER	106			LP20238-003B	REEL DISK ASSY(TAKE UP)
37			LP30003-006A	TENSION SPRING	107			LP30017-015A	SPACER,X2
38			LP40119-002A	T.UP HEAD	108			QSW0554-003	ROTARY ENCODER
39			LP20234-004B	LID GUIDE	109			LP40746-001A	SPECIAL SCREW
40			QYTDST2606Z	SCREW,X2	110			LP30237-002B	CASSETTE GEAR
42			LP40105-003A	PINCH ROLLER ARM ASSY	111			LP30239-002G	LIMIT GEAR(1)
43			LP40753-001A	PINCH ROLLER SHEET 3	112			LP30240-002G	LIMIT GEAR(2)
44			LP40148-002A	TORSION SPRING	113			LP40136-001E	TORSION SPRING
46			LP40149-001C	PRESS LEVER ASSY	114			LP30242-002A	RELAY GEAR
49			LP40106-007A	GUIDE ARM ASSY	115			LP30339-002E	OPENER GUIDE
51			LP40134-001C	TENSION SPRING	116			LP40545-001A	TORSION SPRING
52			QAH0010-004	AC HEAD	117			LP40214-001B	C.H.BRACKET
53			LP30228-001A	HEAD BASE	118			PQM30017-47	SLIT WASHER,X2
54			LP30004-013A	COMPRESSION SPRING,X3	119			LP30243-001D	DRIVE GEAR
55			LP40236-001A	COMPRESSION SPRING	120			LP20240-001G	DRIVE ARM
57			LP40213-002B	SPECIAL SCREW,X3	121			LP40137-001A	TORSION SPRING
58			QYTDST2608Z	SCREW,X2	122			LP10081-002L	SIDE HOLDER(L)
59			QAR0023-001	LOADING MOTOR	123			LP10082-002M	SIDE HOLDER(R)
60			PQ43546-1-2	MOTOR PULLEY	124			LP30255-006A	LOCK LEVER(L)
61			LP30230-001B	MOTOR GUIDE	127			LP30256-001H	LOCK LEVER(R)
62			QYTPSP3003Z	SCREW,X2	128			LP40168-003A	TORSION SPRING(L)
63			LP30005-003A	BELT,LOADING MOTOR	129			LP40218-001B	TORSION SPRING(R)
64			LP20791-002D	CONTROL CAM	130			LP30257-001G	CASSETTE HOLDER
65			PQM30017-24	SLIT WASHER	132			LP30244-002G	GUIDE RAIL
66			LP40120-001A	WORM GEAR	134			LP30245-002F	REC SAFETY LEVER
67			LP40107-002A	LINK LEVER ASSY	135			LP30003-004A	TENSION SPRING
68			PQM30017-24	SLIT WASHER	137			LP20578-001C	TOP GUIDE
69			LP10284-002E	CONTROL PLATE	138			LP30500-001C	HOLD PLATE
70			LP40379-001B	CONTROL BRACKET(1)	139			LP40450-003A	PAD,X2
71			QYTDST2608M	SCREW	140			LP30003-025B	TENSION SPRING
					141			LP30003-024A	TENSION SPRING
					142			LP40481-003A	ROLLER CAM ASSY
					143			LP30019-014A	PAD,X2
					151			LP20324-003B	DOOR OPENER

5.4 MECHANISM ASSEMBLY (DV) <M4>



Classification	Part No.	Symbol in drawing
Grease	KYODO-SH-P	AA
Oil	YTU94027	BB
Grease	RX-410R	CC

- NOTES:**
- This section indicates that the grease and oil are to be applied on locations marked with AA, BB and CC. During checking and servicing, check if grease has been applied on the locations marked with AA, CC and oil on the locations marked with BB.
 - Apply also grease and oil on some locations in the main cam gear and the cam groove at the rear side of the sub cam gear.

#	△	REF No.	PART No.	PART NAME, DESCRIPTION	#	△	REF No.	PART No.	PART NAME, DESCRIPTION

MECHANISM ASSEMBLY(DV) <M4>									
401			LY10062-001B	MAIN DECK ASSY	460			LY41246-001C	BAND ARM PLATE SUB ASSY
402			LY30358-001A	DRUM BASE DECK	461			YQ44246-3	SLIT WASHER
403			YQ43893	MINI SCREW,X3	462			YQ43893-7	MINI SCREW
404			LY30343-001A	WORM WHEEL 2	463			LY30370-001F	SWING ARM ASSY
405			LY40237-001C	ENT.GUIDE BASE ASSY	464			LY30380-001D	EXIT GUIDE ARM ASSY
406			YQ43893	MINI SCREW	464A			LY41250-001A	CLEANER ARM ASSY
407			LY30340-001C	MOTOR BRACKET ASSY	465			YQ44246	SLIT WASHER
408			YQ43893	MINI SCREW,X4	466			LY30374-001B	PINCH ROLLER ARM ASSY
409			LY41190-001B	ROTARY ENCODER ASSY	467			YQ44246	SLIT WASHER
410			YQ43893	MINI SCREW,X2	468			LY40280-001B	REEL COVER ASSY
411			YQ31873B-30	GUIDE RAIL ASSY(SUPPLY)	469			YQ43893	MINI SCREW
413			YQ43893	MINI SCREW	470			YDV2089B	DRUM ASSY
414			LY20097-001C	GUIDE RAIL ASSY(TAKE UP)	471			YQ43893	MINI SCREW,X3
416			YQ43893	MINI SCREW,X4	475			YMA0024D	MECHA ASSY(A)
417			QAR0012-002	CAPSTAN MOTOR					
418			LY30002-003A	COMPRESSION SPRING					
419			LY41390-001A	ADJUST NUT					
420			LY30345-001A	MIDDLE CATCHER ASSY					
421			YQ43893	MINI SCREW,X3					
422			LY40223-001A	ARM GEAR 1 ASSY					
423			LY40224-001A	COLLAR					
424			LY40235-002B	CENTERRING ARM ASSY					
425			LY10060-002A	MAIN CAM					
426			YQ44246	SLIT WASHER					
427			LY40279-001A	ARM GEAR 2 ASSY					
428			LY40228-001A	CLUTCH LOCK LEVER ASSY					
429			LY20102-001A	SUB CAM					
430			YQ43893	MINI SCREW					
431			LY30347-001A	CHARGE ARM ASSY					
432			YQ44560-1-2	CONNECT GEAR 2					
433			YQ43893	MINI SCREW,X2					
434			LY40236-001A	TENSION CONTROL ARM ASSY					
435			LY40233-001A	BRAKE CONTROL ARM ASSY					
436			YQ44246	SLIT WASHER					
437			LY40242-001C	BASE PLATE ASSY					
438			YQ43893	MINI SCREW					
439			YQ43931A	REEL DRIVE PULLEY ASSY					
441			YQ44246	SLIT WASHER					
442			LY40239-001B	CENTER GEAR ASSY					
443			LY40241-001A	TIMING BELT					
444			LY40246-001A	CLUTCH LOCK GEAR (1)					
445			LY30002-009A	COMPRESSION SPRING					
446			LY40247-001A	CLUCH LOCK GEAR (2)					
447			YQ43933-2	WASHER					
448			LY40248-001A	PUSH PLATE					
449			YQ44246	SLIT WASHER					
450			LYH30012-001B	SUB DECK ASSY(G)					
450A			LY20108-001B	PRISM					
450B			YQ43893	MINI SCREW					
451			YQ43893	MINI SCREW,X4					
452			LY20109-001B	CONTROL PLATE					
453			LY40257-001A	SUB BRAKE ASSY					
454			YQ44246	SLIT WASHER					
455			LY40259-001A	MAIN BRAKE ASSY(TAKE UP)					
456			LY40260-001B	MAIN BRAKE ASSY(SUPPLY)					
457			LY40255-001A	REEL DISK ASSY,X2					
458			LY41245-001B	TENSION ARM SUB ASSY					
459			LY41243-001A	TORSION SPRING					

5.5 ELECTRICAL PARTS LIST

#	△ REF No.	PART No.	PART NAME, DESCRIPTION

SW REGULATOR BOARD ASSEMBLY <01>			
PW1		LPA10119-01D1	SW.REGULATOR BOARD ASSY
IC5101		STR-F6552	IC
IC5301		L5431	IC
		or MM1431AT	IC
Q5301		2SD1819A/RS/-X	TRANSISTOR
		or 2PC4081/R/-X	TRANSISTOR
		or 2SC4081/RS/-X	TRANSISTOR
Q5302		DTA114EU	TRANSISTOR
		or PDTA114EU	TRANSISTOR
		or RN2302	TRANSISTOR
		or UN5111	TRANSISTOR
D5001		RBV-406	BRIDGE DIODE
D5101		SARS01	DIODE
D5102		AU01Z	FR DIODE
		or ERA18-02-T2	FR DIODE
		or PG104RS	FR DIODE
		or 1SR153-400-T2	FR DIODE
		or 10ELS2	FR DIODE
D5103		1SS133	DIODE
		or 1SS270A	DIODE
D5201		AK04	DIODE
		or 1S4	SB DIODE
		or 11EQS04	SB DIODE
D5202		FML-12S	FR DIODE
		or SF5LC20U	FR DIODE
		or YG901C2	FR DIODE
		or ER602FCT	FR DIODE
		or FCF06A20	FR DIODE
D5204		1SR153-400-T2	FR DIODE
		or 10ELS2	FR DIODE
		or ERA18-02-T2	FR DIODE
		or PG104RS	FR DIODE
D5206		FMB-24	BARRIER DIODE
		or FSQ05A04B	SB DIODE
		or SF5SC4	SB DIODE
		or YG801C04	SB DIODE
		or SB640FCT	SB DIODE
D5207		FMB-24	BARRIER DIODE
		or FSQ05A04B	SB DIODE
		or SB640FCT	SB DIODE
		or SF5SC4	SB DIODE
		or YG801C04	SB DIODE
D5208		AK04	DIODE
		or 1S4	SB DIODE
		or 11EQS04	SB DIODE
D5210		AU01Z	FR DIODE
		or ERA18-02-T2	FR DIODE
		or 1SR153-400-T2	FR DIODE
		or 10ELS2	FR DIODE
		or PG104RS	FR DIODE
D5211		AU01Z	FR DIODE
		or ERA18-02-T2	FR DIODE
		or PG104RS	FR DIODE
		or 1SR153-400-T2	FR DIODE
		or 10ELS2	FR DIODE
D5301		MTZJ15A	ZENER DIODE
		or RD15ES/B1/-T2	ZENER DIODE

#	△ REF No.	PART No.	PART NAME, DESCRIPTION
D5303		MTZJ7.5A	ZENER DIODE
		or RD7.5ES/B1/-T2	ZENER DIODE
D5304		1SS133	DIODE
		or 1SS270A	DIODE
D5305		MTZJ27C	ZENER DIODE
		or RD27ES/B3/-T2	ZENER DIODE
D5306		MTZJ2.7B	ZENER DIODE
		or RD2.7ES/B2/-T2	ZENER DIODE
D5307		1SS133	DIODE
		or 1SS270A	DIODE
D5308		1SS133	DIODE
		or 1SS270A	DIODE
D5309		1SS133	DIODE
		or 1SS270A	DIODE
D5310		1SS133	DIODE
		or 1SS270A	DIODE
D5311		1SS133	DIODE
		or 1SS270A	DIODE
D5312		1SS133	DIODE
		or 1SS270A	DIODE
R5101		QRG02GJ-683	OMF RESISTOR 68kΩ,2W
R5102		QRE141J-100Y	RESISTOR 10Ω,1/4W
R5103		NRSA02J-332X	MG RESISTOR 3.3kΩ,1/10W
R5104		QRE141J-681Y	RESISTOR 680Ω,1/4W
R5105		QRT01DJ-R47X	MF RESISTOR 0.47Ω,1W
R5107		QRE141J-684Y	RESISTOR 680kΩ,1/4W
R5108		QRE121J-470Y	RESISTOR 47Ω,1/2W
R5302		NRSA02J-472X	MG RESISTOR 4.7kΩ,1/10W
R5303		NRVA02D-123X	CMF RESISTOR 12kΩ,1/10W
R5304		NRVA02D-302X	CMF RESISTOR 3kΩ,1/10W
R5305		NRSA02J-223X	MG RESISTOR 22kΩ,1/10W
△ R5306		QRZ9005-470X	FUSI RESISTOR 47Ω,1/4W
R5307		NRSA02J-221X	MG RESISTOR 220Ω,1/10W
R5308		NRSA02J-102X	MG RESISTOR 1kΩ,1/10W
R5309		NRSA02J-122X	MG RESISTOR 1.2kΩ,1/10W
R5310		QRL02DJ-821X	OMF RESISTOR 820Ω,2W
R5311		NRSA02J-473X	MG RESISTOR 47kΩ,1/10W
R5313		NRSA02J-561X	MG RESISTOR 560Ω,1/10W
R5314		NRSA02J-103X	MG RESISTOR 10kΩ,1/10W
R5316		NRSA02J-102X	MG RESISTOR 1kΩ,1/10W
R5317		NRSA02J-333X	MG RESISTOR 33kΩ,1/10W
B5003		QUY160-100Y	IM BUS WIRE
△ C5001		QFZ9073-683	F CAPACITOR 0.068μF,250V
△ C5002		QFZ9051-333	F CAPACITOR 0.033μF,250V
△ C5004		QCZ9071-222	CAPACITOR 0.0022μF,400V
C5007		QEZ0374-826	E CAPACITOR 82μF,400V
C5102		QEMU1VM-276	E CAPACITOR 27μF,35V
C5103		QCZ0302-330Z	CAPACITOR 33pF,1kV
C5104		QFLC1HJ-471Z	F CAPACITOR 470pF,50V
C5105		NCB21HK-223X	CAPACITOR 0.022μF,50V
C5106		QCZ0212-472	CAPACITOR 0.0047μF,1kV
C5201		QEMU0JM-227	E CAPACITOR 220μF,6.3V
C5202		QEMT1CM-827	E CAPACITOR 820μF,16V
C5203		QETN1CM-227	E CAPACITOR 220μF,16V
C5204		QEMT1AM-228	E CAPACITOR 2200μF,10V
C5205		QETN1AM-227	E CAPACITOR 220μF,10V
C5206		QEMU1EM-187	E CAPACITOR 180μF,25V
C5207		QETN2AM-475	E CAPACITOR 4.7μF,100V
C5208		QEMU1HM-186	E CAPACITOR 18μF,50V
C5210		QEMT1AM-687	E CAPACITOR 680μF,10V
C5211		QETN1AM-227	E CAPACITOR 220μF,10V

#	△ REF No.	PART No.	PART NAME, DESCRIPTION
		C5212	QEMT1AM-228 E CAPACITOR 2200μF,10V
		C5213	QETN1AM-227 E CAPACITOR 220μF,10V
		C5301	QFLC1HJ-103Z F CAPACITOR 0.01μF,50V
		C5302	QFLC1HJ-473Z F CAPACITOR 0.047μF,50V
		C5303	QFLC1HJ-333Z F CAPACITOR 0.033μF,50V
		C5304	QETN1EM-476 E CAPACITOR 47μF,25V
		C5305	QFLC1HJ-103Z F CAPACITOR 0.01μF,50V
		L5201	PELN1184 COIL 33μH
		L5202	PU60944-330K COIL 33μH
		L5203	PELN1184 COIL 33μH
		L5205	PELN1184 COIL 33μH
		K5101	QQR0678-001Z FERRITE BEAD
△	PC5101	PC123F2	PH COUPLER
△	T5001	QQS0092-001	SW TRANSFORMER
	HS2	LP40515-001B	HEAT SINK,D5206
	ST2	PU59391	STYLE PIN
	OT1	QYTDST3008Z	SCREW,D5206
	FC5001	QNG0006-001Z	FUSE CLIP,F5001
	FC5002	QNG0006-001Z	FUSE CLIP,F5001
△	LF5001	PELN1204-01-01	LINE FILTER
△	LF5002	QQR1031-001	LINE FILTER
△	CN5001	QGA7901C3-02	CONNECTOR,(1-2)AC IN
	CN5201	QGF1208C1-19	FPC CONNECTOR,(1-19)REG
△	CP5301	ICP-N25	CIRCUIT PROTECTOR
△	F5001	QMF51E2-2R0J1	FUSE T2.0A,AC250V

REGULATOR BOARD ASSEMBLY <02>

PW2	LPA10119-01D2	REGULATOR BOARD ASSY
IC5321	PQ15RW11	IC
Q5321	2SD2528/QP/	TRANSISTOR
Q5322	2SD1819A/RS/-X	TRANSISTOR
	or 2PC4081/R/-X	TRANSISTOR
	or 2SC4081/RS/-X	TRANSISTOR
Q5323	2SA933AS/RS/-T	TRANSISTOR
	or 2SA1267/YG/-T	TRANSISTOR
Q5324	DTC114EU	TRANSISTOR
	or PDTC114EU	TRANSISTOR
	or UN5211	TRANSISTOR
	or RN1302	TRANSISTOR
Q5326	2SD2375/QP/	TRANSISTOR
Q5327	2SD1819A/RS/-X	TRANSISTOR
	or 2PC4081/R/-X	TRANSISTOR
	or 2SC4081/RS/-X	TRANSISTOR
Q5328	2SD1302/ST/-T	TRANSISTOR
	or 2SD1450/ST/-T	TRANSISTOR
Q5329	DTA114EU	TRANSISTOR
	or RN2302	TRANSISTOR
	or UN5111	TRANSISTOR
	or PDTA114EU	TRANSISTOR
Q5330	2SD2144S/UV/-T	TRANSISTOR
Q5331	2SB1068/KU/-T	TRANSISTOR
Q5332	DTC114EU	TRANSISTOR
	or PDTC114EU	TRANSISTOR
	or RN1302	TRANSISTOR
	or UN5211	TRANSISTOR
Q5333	2SD1450/ST/-T	TRANSISTOR

#	△ REF No.	PART No.	PART NAME, DESCRIPTION
			or 2SD1302/ST/-T TRANSISTOR
Q5334		DTA114EU	TRANSISTOR
		or PDTA114EU	TRANSISTOR
		or UN5111	TRANSISTOR
		or RN2302	TRANSISTOR
Q5335		2SB1256	TRANSISTOR
Q5336		DTC114TU	TRANSISTOR
		or UN5215	TRANSISTOR
Q5337		2SB1239	TRANSISTOR
Q5339		2SD2144S/UV/-T	TRANSISTOR
Q5340		DTA114EU	TRANSISTOR
		or RN2302	TRANSISTOR
		or UN5111	TRANSISTOR
		or PDTA114EU	TRANSISTOR
Q5341		DTC114EU	TRANSISTOR
		or PDTC114EU	TRANSISTOR
		or UN5211	TRANSISTOR
		or RN1302	TRANSISTOR
D5322		1SS133	DIODE
		or 1SS270A	DIODE
D5323		11ES2	DIODE
		or ERA15-02-T2	DIODE
		or 1A3G	DIODE
D5324		11ES2	DIODE
		or ERA15-02-T2	DIODE
		or 1A3G	DIODE
D5325		RD5.1JS/B2/-T2	ZENER DIODE
		or MA4051N/M/-T2	ZENER DIODE
D5326		1SS133	DIODE
		or 1SS270A	DIODE
D5327		RD5.1JS/B2/-T2	ZENER DIODE
		or MA4051N/M/-T2	ZENER DIODE
D5328		1SS133	DIODE
		or 1SS270A	DIODE
D5329		1SS133	DIODE
		or 1SS270A	DIODE
D5330		1SS133	DIODE
		or 1SS270A	DIODE
D5331		1SS133	DIODE
		or 1SS270A	DIODE
D5332		11ES2	DIODE
		or ERA15-02-T2	DIODE
		or 1A3G	DIODE
D5333		1SS133	DIODE
		or 1SS270A	DIODE
D5334		11ES2	DIODE
		or ERA15-02-T2	DIODE
		or 1A3G	DIODE
D5336		MTZJ12A	ZENER DIODE
		or RD12ES/B1/-T2	ZENER DIODE
R5322		NRSA02J-471X	MG RESISTOR 470Ω,1/10W
R5323		NRSA02J-471X	MG RESISTOR 470Ω,1/10W
R5324		NRSA02J-102X	MG RESISTOR 1kΩ,1/10W
R5325		NRSA02J-103X	MG RESISTOR 10kΩ,1/10W
R5326		NRSA02J-471X	MG RESISTOR 470Ω,1/10W
R5327		NRSA02J-471X	MG RESISTOR 470Ω,1/10W
R5328		NRSA02J-102X	MG RESISTOR 1kΩ,1/10W
R5329		NRSA02J-103X	MG RESISTOR 10kΩ,1/10W
R5330		NRSA02J-471X	MG RESISTOR 470Ω,1/10W
R5331		NRSA02J-473X	MG RESISTOR 47kΩ,1/10W
R5332		NRSA02J-103X	MG RESISTOR 10kΩ,1/10W

#	△ REF No.	PART No.	PART NAME, DESCRIPTION
R5333		NRSA02J-102X	MG RESISTOR 1kΩ,1/10W
R5336		NRVA02D-472X	CMF RESISTOR 4.7kΩ,1/10W
R5337		NRVA02D-102X	CMF RESISTOR 1kΩ,1/10W
R5338		NRSA02J-103X	MG RESISTOR 10kΩ,1/10W
R5339		NRSA02J-102X	MG RESISTOR 1kΩ,1/10W
R5340		QRL01DJ-101X	OMF RESISTOR 100Ω,1W
R5341		NRSA02J-511X	MG RESISTOR 510Ω,1/10W
R5342		NRSA02J-471X	MG RESISTOR 470Ω,1/10W
R5343		NRSA02J-473X	MG RESISTOR 47kΩ,1/10W
R5344		NRSA02J-221X	MG RESISTOR 220Ω,1/10W
R5345		NRSA02J-472X	MG RESISTOR 4.7kΩ,1/10W
R5346		NRSA02J-222X	MG RESISTOR 2.2kΩ,1/10W
R5347		NRSA02J-472X	MG RESISTOR 4.7kΩ,1/10W
R5348		NRSA02J-222X	MG RESISTOR 2.2kΩ,1/10W
R5351		NRSA02J-222X	MG RESISTOR 2.2kΩ,1/10W
R5352		NRSA02J-102X	MG RESISTOR 1kΩ,1/10W
B5302		NRSA02J-0R0X	MG RESISTOR 0Ω,1/10W
B5306		QUY153-050Y	IM BUS WIRE
B5307		QUY153-050Y	IM BUS WIRE
B5309		QUY153-050Y	IM BUS WIRE
B5310		NRSA02J-0R0X	MG RESISTOR 0Ω,1/10W
C5321		QETN1AM-107	E CAPACITOR 100μF,10V
C5322		QETN1HM-106	E CAPACITOR 10μF,50V
C5323		QETN1CM-107	E CAPACITOR 100μF,16V
C5324		QFLC1HJ-102Z	F CAPACITOR 0.001μF,50V
C5325		QFLC1HJ-102Z	F CAPACITOR 0.001μF,50V
C5326		QETN1AM-107	E CAPACITOR 100μF,10V
C5329		NCB21HK-103X	CAPACITOR 0.01μF,50V
C5330		QETN1AM-107	E CAPACITOR 100μF,10V
C5331		QETN1AM-107	E CAPACITOR 100μF,10V
C5332		QETN1CM-226	E CAPACITOR 22μF,16V
C5333		QETN1AM-107	E CAPACITOR 100μF,10V
C5334		QETN1CM-227	E CAPACITOR 220μF,16V
C5335		QETN1CM-107	E CAPACITOR 100μF,16V
HS1		LP40090-001A	HEAT SINK,Q5321
OT1		QYTDST3006Z	SCREW,Q5321
CN5301		QGF1208C1-19	FPC CONNECTOR,(1-19)SW/REG
CN5321		QGF1208F1-15	FPC CONNECTOR,(1-15)MAIN
CN5322		QGF1208F1-13	FPC CONNECTOR,(1-13)MAIN
CN5323		QGA2001C1-10	CONNECTOR,(1-10)DV MAIN
CN5324		QGA2001C1-05	CONNECTOR,(1-5)DV PRE/REC
CN5325		QGA2001F1-02	CONNECTOR,(1-2)FAN MOTOR
△	CP5321	ICP-N25	CIRCUIT PROTECTOR
△	CP5322	ICP-N25	CIRCUIT PROTECTOR
△	CP5323	ICP-N25	CIRCUIT PROTECTOR

MAIN BOARD ASSEMBLY <03>

PW1	LPA10113-04F	MAIN BOARD ASSY
IC1	JCP8020-MSD-2	IC
IC2	MM1113XF	IC
IC301	LA7358	IC
IC702	MM1113XF	IC
IC703	MM1228XF	IC
IC705	MM1117XF	IC
IC706	PQ05TZ1U	IC
	or PQ05TZ5U	IC

#	△ REF No.	PART No.	PART NAME, DESCRIPTION
IC707		AN3916	IC
IC708		MM1115XF	IC
IC709		MM1031XM	IC
IC712		MM1113XF	IC
IC2601		BU4052BCF	IC
IC2602		BA15218F-XE	IC
IC2603		BU4052BCF	IC
IC2605		BA15218F-XE	IC
IC2606		BU4052BCF	IC
IC2607		BU4052BCF	IC
IC2608		BA15218F-XE	IC
IC2609		LA7151	IC
IC2610		BU4053BCF	IC
IC3001		HD6432194AA22F	IC
IC3002		S-80727AN-DQ-X	IC
		or S-80827ANUP-W	IC
IC3003		AT24C16-10PC	IC
		or 24LC16B/P	IC
IC3004		BA6956AN	IC
IC3301		UPD780053GC042	IC
IC3302		TC74HC4053AF	IC
Q1		2SC4081/S/-X	TRANSISTOR
Q2		2SC4081/S/-X	TRANSISTOR
Q3		2SC4081/S/-X	TRANSISTOR
Q4		2SC4081/S/-X	TRANSISTOR
Q5		2SB1218A/QR/-X	TRANSISTOR
		or 2SA1576A/QR/-X	TRANSISTOR
		or 2PA1576/R/-X	TRANSISTOR
Q7		2SD1819A/QRS/-X	TRANSISTOR
		or 2PC4081/R/-X	TRANSISTOR
		or 2SC4081/QRS/-X	TRANSISTOR
Q8		2SD1819A/QRS/-X	TRANSISTOR
		or 2SC4081/QRS/-X	TRANSISTOR
		or 2PC4081/R/-X	TRANSISTOR
Q9		2SB1218A/QR/-X	TRANSISTOR
		or 2PA1576/R/-X	TRANSISTOR
		or 2SA1576A/QR/-X	TRANSISTOR
Q10		2SB1218A/QR/-X	TRANSISTOR
		or 2SA1576A/QR/-X	TRANSISTOR
		or 2PA1576/R/-X	TRANSISTOR
Q14		DTA144WU	TRANSISTOR
		or PDTA144WU	TRANSISTOR
		or RN2309	TRANSISTOR
		or UN511E	TRANSISTOR
Q17		DTC144WU	TRANSISTOR
		or PDTC144WU	TRANSISTOR
		or RN1309	TRANSISTOR
		or UN521E	TRANSISTOR
Q18		2SB1218A/QR/-X	TRANSISTOR
		or 2SA1576A/QR/-X	TRANSISTOR
		or 2PA1576/R/-X	TRANSISTOR
Q21		2SB1218A/QR/-X	TRANSISTOR
		or 2PA1576/R/-X	TRANSISTOR
		or 2SA1576A/QR/-X	TRANSISTOR
Q24		2SA1576A/QR/-X	TRANSISTOR
		or 2SB1218A/QR/-X	TRANSISTOR
		or 2PA1576/R/-X	TRANSISTOR
Q25		DTC144WU	TRANSISTOR
		or PDTC144WU	TRANSISTOR
		or RN1309	TRANSISTOR
		or UN521E	TRANSISTOR

#	△	REF No.	PART No.	PART NAME, DESCRIPTION	#	△	REF No.	PART No.	PART NAME, DESCRIPTION
Q38			2SD1819A/QRS/-X	TRANSISTOR	Q725			2SA1576A/QR/-X	TRANSISTOR
			or 2SC4081/QRS/-X	TRANSISTOR				or 2SB1218A/QR/-X	TRANSISTOR
			or 2PC4081/R/-X	TRANSISTOR				or 2PA1576/R/-X	TRANSISTOR
Q41			DTC144WU	TRANSISTOR	Q726			2SC4081/QRS/-X	TRANSISTOR
			or PDTC144WU	TRANSISTOR				or 2PC4081/R/-X	TRANSISTOR
			or RN1309	TRANSISTOR				or 2SD1819A/QRS/-X	TRANSISTOR
			or UN521E	TRANSISTOR	Q727			2SA1576A/QR/-X	TRANSISTOR
Q301			2SB1218A/QR/-X	TRANSISTOR				or 2SB1218A/QR/-X	TRANSISTOR
			or 2PA1576/R/-X	TRANSISTOR				or 2PA1576/R/-X	TRANSISTOR
			or 2SA1576A/QR/-X	TRANSISTOR	Q728			2SC4081/QRS/-X	TRANSISTOR
Q302			DTA144WU	TRANSISTOR				or 2PC4081/R/-X	TRANSISTOR
			or PDTA144WU	TRANSISTOR				or 2SD1819A/QRS/-X	TRANSISTOR
			or RN2309	TRANSISTOR	Q729			DTC144WU	TRANSISTOR
			or UN511E	TRANSISTOR				or PDTC144WU	TRANSISTOR
Q401			2SA1576A/QR/-X	TRANSISTOR				or UN521E	TRANSISTOR
Q402			2SA1576A/QR/-X	TRANSISTOR				or RN1309	TRANSISTOR
Q403			DTC144WU	TRANSISTOR	Q730			DTA144WU	TRANSISTOR
			or PDTC144WU	TRANSISTOR				or PDTA144WU	TRANSISTOR
			or RN1309	TRANSISTOR				or RN2309	TRANSISTOR
			or UN521E	TRANSISTOR				or UN511E	TRANSISTOR
Q404			DTC144WU	TRANSISTOR	Q2001			2SC4081/QRS/-X	TRANSISTOR
			or PDTC144WU	TRANSISTOR				or 2PC4081/R/-X	TRANSISTOR
			or RN1309	TRANSISTOR				or 2SD1819A/QRS/-X	TRANSISTOR
			or UN521E	TRANSISTOR	Q2002			2SC4081/QRS/-X	TRANSISTOR
Q405			2SA1576A/QR/-X	TRANSISTOR				or 2SD1819A/QRS/-X	TRANSISTOR
Q703			2SC4081/QRS/-X	TRANSISTOR				or 2PC4081/R/-X	TRANSISTOR
			or 2PC4081/R/-X	TRANSISTOR	Q2003			DTA144WU	TRANSISTOR
			or 2SD1819A/QRS/-X	TRANSISTOR				or RN2309	TRANSISTOR
Q704			2SC4081/QRS/-X	TRANSISTOR				or UN511E	TRANSISTOR
			or 2SD1819A/QRS/-X	TRANSISTOR				or PDTA144WU	TRANSISTOR
			or 2PC4081/R/-X	TRANSISTOR	Q2004			DTC144WU	TRANSISTOR
Q705			2SA1576A/QR/-X	TRANSISTOR				or PDTC144WU	TRANSISTOR
			or 2PA1576/R/-X	TRANSISTOR				or RN1309	TRANSISTOR
			or 2SB1218A/QR/-X	TRANSISTOR				or UN521E	TRANSISTOR
Q706			2SC4081/QRS/-X	TRANSISTOR	Q2011			DTC144WU	TRANSISTOR
			or 2SD1819A/QRS/-X	TRANSISTOR				or PDTC144WU	TRANSISTOR
			or 2PC4081/R/-X	TRANSISTOR				or UN521E	TRANSISTOR
Q707			2SC4081/QRS/-X	TRANSISTOR				or RN1309	TRANSISTOR
			or 2PC4081/R/-X	TRANSISTOR	Q2051			2SC4081/QRS/-X	TRANSISTOR
			or 2SD1819A/QRS/-X	TRANSISTOR				or 2PC4081/R/-X	TRANSISTOR
Q708			2SA1576A/QR/-X	TRANSISTOR				or 2SD1819A/QRS/-X	TRANSISTOR
			or 2SB1218A/QR/-X	TRANSISTOR	Q2052			2SA1576A/QR/-X	TRANSISTOR
			or 2PA1576/R/-X	TRANSISTOR				or 2SB1218A/QR/-X	TRANSISTOR
Q709			2SA1576A/QR/-X	TRANSISTOR				or 2PA1576/R/-X	TRANSISTOR
			or 2PA1576/R/-X	TRANSISTOR	Q2053			DTC144WU	TRANSISTOR
			or 2SB1218A/QR/-X	TRANSISTOR				or PDTC144WU	TRANSISTOR
Q710			2SA1576A/QR/-X	TRANSISTOR				or UN521E	TRANSISTOR
			or 2SB1218A/QR/-X	TRANSISTOR				or RN1309	TRANSISTOR
			or 2PA1576/R/-X	TRANSISTOR	Q2054			2SA1576A/QR/-X	TRANSISTOR
Q711			2SA1576A/QR/-X	TRANSISTOR				or 2PA1576/R/-X	TRANSISTOR
			or 2SB1218A/QR/-X	TRANSISTOR				or 2SB1218A/QR/-X	TRANSISTOR
			or 2PA1576/R/-X	TRANSISTOR	Q2061			2SC4081/QRS/-X	TRANSISTOR
Q712			2SC4081/QRS/-X	TRANSISTOR				or 2SD1819A/QRS/-X	TRANSISTOR
			or 2PC4081/R/-X	TRANSISTOR				or 2PC4081/R/-X	TRANSISTOR
			or 2SD1819A/QRS/-X	TRANSISTOR	Q2062			2SA1576A/QR/-X	TRANSISTOR
Q713			2SC4081/QRS/-X	TRANSISTOR				or 2PA1576/R/-X	TRANSISTOR
			or 2SB1218A/QR/-X	TRANSISTOR				or 2SB1218A/QR/-X	TRANSISTOR
			or 2PC4081/R/-X	TRANSISTOR	Q2251			DTA144WU	TRANSISTOR
Q714			2SA1576A/QR/-X	TRANSISTOR				or RN2309	TRANSISTOR
			or 2PA1576/R/-X	TRANSISTOR				or UN511E	TRANSISTOR
			or 2SB1218A/QR/-X	TRANSISTOR				or PDTA144WU	TRANSISTOR

#	△ REF No.	PART No.	PART NAME, DESCRIPTION	#	△ REF No.	PART No.	PART NAME, DESCRIPTION	
Q2252		DTC114EU	TRANSISTOR	Q6032		DTC144EU	TRANSISTOR	
		or PDTC114EU	TRANSISTOR	Q7501		2SC1317/RS/-T	TRANSISTOR	
		or UN5211	TRANSISTOR	Q7502		DTC144WU	TRANSISTOR	
		or RN1302	TRANSISTOR			or PDTC144WU	TRANSISTOR	
Q2601		2SC4081/QRS/-X	TRANSISTOR			or RN1309	TRANSISTOR	
		or 2SD1819A/QRS/-X	TRANSISTOR			or UN521E	TRANSISTOR	
		or 2PC4081/R/-X	TRANSISTOR	D6		MTZJ5.1C	ZENER DIODE	
Q2602		2SC4081/QRS/-X	TRANSISTOR	D8		NRSA02J-0R0X	MG RESISTOR	0Ω,1/10W
		or 2PC4081/R/-X	TRANSISTOR	D706		1SS355	DIODE	
		or 2SD1819A/QRS/-X	TRANSISTOR	D2001		1SS355	DIODE	
Q3001		2SD1819A/QRS/-X	TRANSISTOR	D2121		MTZJ8.2C	ZENER DIODE	
		or 2SC4081/QRS/-X	TRANSISTOR	D2201		11ES2	DIODE	
		or 2PC4081/R/-X	TRANSISTOR			or 1A3G	DIODE	
Q3002		PTZ-NV16	PHOTO TRANSISTOR	D3001		LNB2301L01VI	LE DIODE	
		or PTZ-NV16A	PHOTO TRANSISTOR	D3002		1SS133	DIODE	
Q3003		PTZ-NV16	PHOTO TRANSISTOR	D3003		RD33ES/B2/-T2	ZENER DIODE	
		or PTZ-NV16A	PHOTO TRANSISTOR			or MTZJ33C	ZENER DIODE	
Q3004		2SD1819A/QRS/-X	TRANSISTOR	D3004		11ES2	DIODE	
		or 2SC4081/QRS/-X	TRANSISTOR			or 1A3G	DIODE	
		or 2PC4081/R/-X	TRANSISTOR	D3005		11ES2	DIODE	
Q3005		2SD1819A/QRS/-X	TRANSISTOR			or 1A3G	DIODE	
		or 2SC4081/QRS/-X	TRANSISTOR	D3007		NRSA02J-0R0X	MG RESISTOR	0Ω,1/10W
		or 2PC4081/R/-X	TRANSISTOR	D3008		1SS355	DIODE	
Q3007		UN521E	TRANSISTOR	D3011		1SS133	DIODE	
		or RN1309	TRANSISTOR	D3012		1SS133	DIODE	
		or DTC144WU	TRANSISTOR	D3301		1SS355	DIODE	
		or PDTC144WU	TRANSISTOR	D4001		1SS355	DIODE	
Q3302		DTC144WU	TRANSISTOR	D4002		1SS355	DIODE	
		or RN1309	TRANSISTOR	D6002		HZ30-2L-T2	ZENER DIODE	
		or UN521E	TRANSISTOR			or HZ30-2LTD	Z DIODE (M)	
Q3303		DTC144WU	TRANSISTOR	R1		NRVA02D-682X	CMF RESISTOR	6.8kΩ,1/10W
		or RN1309	TRANSISTOR	R2		NRVA02D-152X	CMF RESISTOR	1.5kΩ,1/10W
		or UN521E	TRANSISTOR	R4		NRSA02J-0R0X	MG RESISTOR	0Ω,1/10W
Q3304		DTC144WU	TRANSISTOR	R5		NRSA02J-0R0X	MG RESISTOR	0Ω,1/10W
		or RN1309	TRANSISTOR	R6		NRSA02J-273X	MG RESISTOR	27kΩ,1/10W
		or UN521E	TRANSISTOR	R7		NRSA02J-681X	MG RESISTOR	680Ω,1/10W
Q3305		DTC144WU	TRANSISTOR	R8		NRSA02J-0R0X	MG RESISTOR	0Ω,1/10W
		or RN1309	TRANSISTOR	R9		NRSA02J-0R0X	MG RESISTOR	0Ω,1/10W
		or UN521E	TRANSISTOR	R21		NRSA02J-222X	MG RESISTOR	2.2kΩ,1/10W
Q3306		DTC144WU	TRANSISTOR	R22		NRSA02J-222X	MG RESISTOR	2.2kΩ,1/10W
		or RN1309	TRANSISTOR	R23		NRSA02J-182X	MG RESISTOR	1.8kΩ,1/10W
		or UN521E	TRANSISTOR	R24		NRSA02J-331X	MG RESISTOR	330Ω,1/10W
Q3307		DTC144WU	TRANSISTOR	R25		NRSA02J-103X	MG RESISTOR	10kΩ,1/10W
		or RN1309	TRANSISTOR	R26		NRSA02J-682X	MG RESISTOR	6.8kΩ,1/10W
		or UN521E	TRANSISTOR	R27		NRSA02J-221X	MG RESISTOR	220Ω,1/10W
Q3308		DTC144WU	TRANSISTOR	R28		NRSA02J-221X	MG RESISTOR	220Ω,1/10W
		or UN521E	TRANSISTOR	R29		NRSA02J-681X	MG RESISTOR	680Ω,1/10W
		or RN1309	TRANSISTOR	R30		NRSA02J-0R0X	MG RESISTOR	0Ω,1/10W
Q4001		UN5211	TRANSISTOR	R31		NRSA02J-152X	MG RESISTOR	1.5kΩ,1/10W
		or DTC114EU	TRANSISTOR	R32		NRSA02J-471X	MG RESISTOR	470Ω,1/10W
		or RN1302	TRANSISTOR	R33		NDC21HJ-8R0X	CAPACITOR	8pF,50V
Q4002		UN5211	TRANSISTOR	R34		NDC21HJ-390X	CAPACITOR	39pF,50V
		or RN1302	TRANSISTOR	R36		NRSA02J-182X	MG RESISTOR	1.8kΩ,1/10W
		or DTC114EU	TRANSISTOR	R38		NRSA02J-102X	MG RESISTOR	1kΩ,1/10W
Q4003		UN5211	TRANSISTOR	R40		NRSA02J-222X	MG RESISTOR	2.2kΩ,1/10W
		or RN1302	TRANSISTOR	R41		NRSA02J-392X	MG RESISTOR	3.9kΩ,1/10W
		or DTC114EU	TRANSISTOR	R42		NRSA02J-681X	MG RESISTOR	680Ω,1/10W
Q6030		2SB1218A/QR/-X	TRANSISTOR	R46		NRSA02J-271X	MG RESISTOR	270Ω,1/10W
		or 2SA1576A/QR/-X	TRANSISTOR	R47		NRSA02J-821X	MG RESISTOR	820Ω,1/10W
		or 2PA1576/R/-X	TRANSISTOR	R48		NRSA02J-102X	MG RESISTOR	1kΩ,1/10W
Q6031		DTC144EU	TRANSISTOR	R51		NRSA02J-122X	MG RESISTOR	1.2kΩ,1/10W

#	△	REF No.	PART No.	PART NAME, DESCRIPTION	#	△	REF No.	PART No.	PART NAME, DESCRIPTION
R54			NRSA02J-152X	MG RESISTOR	R729		NRVA02D-271X	CMF RESISTOR	270Ω,1/10W
R62			NRSA02J-101X	MG RESISTOR	R730		NRSA02J-332X	MG RESISTOR	3.3kΩ,1/10W
R68			NRSA02J-222X	MG RESISTOR	R767		NRSA02J-0R0X	MG RESISTOR	0Ω,1/10W
R70			NRSA02J-0R0X	MG RESISTOR	R768		NRSA02J-0R0X	MG RESISTOR	0Ω,1/10W
R77			NRSA02J-103X	MG RESISTOR	R769		NRSA02J-122X	MG RESISTOR	1.2kΩ,1/10W
R88			NRSA02J-0R0X	MG RESISTOR	R770		NRSA02J-471X	MG RESISTOR	470Ω,1/10W
R90			NRSA02J-391X	MG RESISTOR	R771		NRSA02J-471X	MG RESISTOR	470Ω,1/10W
R92			NRSA02J-152X	MG RESISTOR	R772		NRSA02J-102X	MG RESISTOR	1kΩ,1/10W
R93			NRSA02J-222X	MG RESISTOR	R773		NRSA02J-223X	MG RESISTOR	22kΩ,1/10W
R104			NRSA02J-682X	MG RESISTOR	R774		NRSA02J-274X	MG RESISTOR	270kΩ,1/10W
R113			NRSA02J-101X	MG RESISTOR	R775		NRSA02J-183X	MG RESISTOR	18kΩ,1/10W
R114			NRSA02J-104X	MG RESISTOR	R776		NRSA02J-0R0X	MG RESISTOR	0Ω,1/10W
R301			NRSA02J-273X	MG RESISTOR	R777		NRSA02J-0R0X	MG RESISTOR	0Ω,1/10W
R302			NRSA02J-124X	MG RESISTOR	R778		NRSA02J-102X	MG RESISTOR	1kΩ,1/10W
R303			NRSA02J-273X	MG RESISTOR	R779		NRSA02J-102X	MG RESISTOR	1kΩ,1/10W
R304			NRSA02J-682X	MG RESISTOR	R780		NRSA02J-122X	MG RESISTOR	1.2kΩ,1/10W
R305			NRSA02J-473X	MG RESISTOR	R781		NRSA02J-102X	MG RESISTOR	1kΩ,1/10W
R306			NRSA02J-273X	MG RESISTOR	R782		NRSA02J-220X	MG RESISTOR	22Ω,1/10W
R307			NRSA02J-0R0X	MG RESISTOR	R783		NRSA02J-102X	MG RESISTOR	1kΩ,1/10W
R309			NRSA02J-0R0X	MG RESISTOR	R784		NRSA02J-102X	MG RESISTOR	1kΩ,1/10W
R310			NRSA02J-223X	MG RESISTOR	R785		NRSA02J-471X	MG RESISTOR	470Ω,1/10W
R311			NRSA02J-332X	MG RESISTOR	VR701		QVP0039-333Z	TRIM RESISTOR,DV AGC	
R312			NRSA02J-272X	MG RESISTOR	R2003		NRSA02J-101X	MG RESISTOR	100Ω,1/10W
R313			NRSA02J-223X	MG RESISTOR	R2004		NRSA02J-332X	MG RESISTOR	3.3kΩ,1/10W
R314			NRSA02J-243X	MG RESISTOR	R2005		NRSA02J-0R0X	MG RESISTOR	0Ω,1/10W
R315			NRSA02J-564X	MG RESISTOR	R2006		NRSA02J-393X	MG RESISTOR	39kΩ,1/10W
R316			NRSA02J-124X	MG RESISTOR	R2007		NRSA02J-393X	MG RESISTOR	39kΩ,1/10W
R328			NRSA02J-153X	MG RESISTOR	R2008		NRSA02J-123X	MG RESISTOR	12kΩ,1/10W
R329			NRSA02J-103X	MG RESISTOR	R2009		NRSA02J-123X	MG RESISTOR	12kΩ,1/10W
R401			NRSA02J-221X	MG RESISTOR	R2010		NRSA02J-123X	MG RESISTOR	12kΩ,1/10W
R402			NRSA02J-681X	MG RESISTOR	R2011		NRSA02J-103X	MG RESISTOR	10kΩ,1/10W
R403			NRSA02J-561X	MG RESISTOR	R2012		NRSA02J-153X	MG RESISTOR	15kΩ,1/10W
R404			NRSA02J-473X	MG RESISTOR	R2013		NRSA02J-682X	MG RESISTOR	6.8kΩ,1/10W
R405			NRSA02J-683X	MG RESISTOR	R2014		NRSA02J-224X	MG RESISTOR	220kΩ,1/10W
R406			NRSA02J-393X	MG RESISTOR	R2015		NRSA02J-181X	MG RESISTOR	180Ω,1/10W
R407			NRSA02J-472X	MG RESISTOR	R2016		NRSA02J-393X	MG RESISTOR	39kΩ,1/10W
R408			NRSA02J-473X	MG RESISTOR	R2017		NRSA02J-103X	MG RESISTOR	10kΩ,1/10W
R409			NRSA02J-103X	MG RESISTOR	R2018		NRSA02J-472X	MG RESISTOR	4.7kΩ,1/10W
R704			NRSA02J-333X	MG RESISTOR	R2019		NRSA02J-472X	MG RESISTOR	4.7kΩ,1/10W
R705			NRSA02J-223X	MG RESISTOR	R2020		NRSA02J-102X	MG RESISTOR	1kΩ,1/10W
R706			NRVA02D-271X	CMF RESISTOR	R2024		QRE141J-472	RESISTOR	4.7kΩ,1/4W
R707			NRVA02D-561X	CMF RESISTOR	R2053		NRSA02J-332X	MG RESISTOR	3.3kΩ,1/10W
R709			NRSA02J-0R0X	MG RESISTOR	R2054		NRSA02J-153X	MG RESISTOR	15kΩ,1/10W
R710			NRSA02J-561X	MG RESISTOR	R2055		NRSA02J-3R3X	MG RESISTOR	3.3Ω,1/10W
R711			NRSA02J-0R0X	MG RESISTOR	R2056		NRSA02J-101X	MG RESISTOR	100Ω,1/10W
R712			NRSA02J-682X	MG RESISTOR	R2057		NRSA02J-473X	MG RESISTOR	47kΩ,1/10W
R713			NRSA02J-392X	MG RESISTOR	R2058		NRSA02J-183X	MG RESISTOR	18kΩ,1/10W
R714			NRSA02J-681X	MG RESISTOR	R2059		NRSA02J-473X	MG RESISTOR	47kΩ,1/10W
R716			NRVA02D-152X	CMF RESISTOR	R2060		NRSA02J-183X	MG RESISTOR	18kΩ,1/10W
R717			NRSA02J-0R0X	MG RESISTOR	R2061		NRSA02J-273X	MG RESISTOR	27kΩ,1/10W
R718			NRVA02D-271X	CMF RESISTOR	R2062		NRSA02J-3R3X	MG RESISTOR	3.3Ω,1/10W
R719			NRVA02D-471X	CMF RESISTOR	R2063		NRSA02J-151X	MG RESISTOR	150Ω,1/10W
R720			NRSA02J-222X	MG RESISTOR	R2064		NRSA02J-473X	MG RESISTOR	47kΩ,1/10W
R721			NRSA02J-222X	MG RESISTOR	R2065		NRSA02J-183X	MG RESISTOR	18kΩ,1/10W
R722			NRVA02D-471X	CMF RESISTOR	R2121		QRE141J-151Y	RESISTOR	150Ω,1/4W
R723			NRVA02D-471X	CMF RESISTOR	R2206		NRSA02J-101X	MG RESISTOR	100Ω,1/10W
R724			NRSA02J-102X	MG RESISTOR	R2207		NRSA02J-332X	MG RESISTOR	3.3kΩ,1/10W
R725			NRSA02J-105X	MG RESISTOR	R2208		NRSA02J-101X	MG RESISTOR	100Ω,1/10W
R726			NRSA02J-394X	MG RESISTOR	R2209		NRSA02J-101X	MG RESISTOR	100Ω,1/10W
R727			NRSA02J-105X	MG RESISTOR	R2210		NRSA02J-103X	MG RESISTOR	10kΩ,1/10W
R728			NRVA02D-271X	CMF RESISTOR	R2211		NRSA02J-103X	MG RESISTOR	10kΩ,1/10W

#	△ REF No.	PART No.	PART NAME, DESCRIPTION	#	△ REF No.	PART No.	PART NAME, DESCRIPTION
R2213		NRSA02J-393X	MG RESISTOR 39kΩ,1/10W	R2664		NRSA02J-221X	MG RESISTOR 220Ω,1/10W
R2215		NRSA02J-153X	MG RESISTOR 15kΩ,1/10W	R2665		NRSA02J-103X	MG RESISTOR 10kΩ,1/10W
R2217		NRSA02J-0R0X	MG RESISTOR 0Ω,1/10W	R2666		NRSA02J-221X	MG RESISTOR 220Ω,1/10W
R2218		NRSA02J-393X	MG RESISTOR 39kΩ,1/10W	R2667		NRSA02J-103X	MG RESISTOR 10kΩ,1/10W
R2219		NRSA02J-393X	MG RESISTOR 39kΩ,1/10W	R2681		NRSA02J-221X	MG RESISTOR 220Ω,1/10W
R2220		NRSA02J-393X	MG RESISTOR 39kΩ,1/10W	R2682		NRSA02J-103X	MG RESISTOR 10kΩ,1/10W
R2222		NRSA02J-123X	MG RESISTOR 12kΩ,1/10W	R2683		NRSA02J-222X	MG RESISTOR 2.2kΩ,1/10W
R2223		NRSA02J-123X	MG RESISTOR 12kΩ,1/10W	R2684		NRSA02J-103X	MG RESISTOR 10kΩ,1/10W
R2224		NRSA02J-123X	MG RESISTOR 12kΩ,1/10W	R2685		NRSA02J-222X	MG RESISTOR 2.2kΩ,1/10W
R2225		NRSA02J-153X	MG RESISTOR 15kΩ,1/10W	R2686		NRSA02J-103X	MG RESISTOR 10kΩ,1/10W
R2226		NRSA02J-123X	MG RESISTOR 12kΩ,1/10W	R2687		NRSA02J-221X	MG RESISTOR 220Ω,1/10W
R2227		NRSA02J-123X	MG RESISTOR 12kΩ,1/10W	R2688		NRSA02J-221X	MG RESISTOR 220Ω,1/10W
R2228		NRSA02J-103X	MG RESISTOR 10kΩ,1/10W	R2689		NRSA02J-0R0X	MG RESISTOR 0Ω,1/10W
R2229		NRSA02J-563X	MG RESISTOR 56kΩ,1/10W	R2691		NRSA02J-221X	MG RESISTOR 220Ω,1/10W
R2251		NRSA02J-102X	MG RESISTOR 1kΩ,1/10W	R2692		NRSA02J-221X	MG RESISTOR 220Ω,1/10W
R2252		NRSA02J-472X	MG RESISTOR 4.7kΩ,1/10W	R3011		NRSA02J-0R0X	MG RESISTOR 0Ω,1/10W
R2601		NRSA02J-102X	MG RESISTOR 1kΩ,1/10W	R3012		NRSA02J-0R0X	MG RESISTOR 0Ω,1/10W
R2602		NRSA02J-102X	MG RESISTOR 1kΩ,1/10W	R3013		NRSA02J-0R0X	MG RESISTOR 0Ω,1/10W
R2603		NRSA02J-102X	MG RESISTOR 1kΩ,1/10W	R3016		NRSA02J-0R0X	MG RESISTOR 0Ω,1/10W
R2604		NRSA02J-102X	MG RESISTOR 1kΩ,1/10W	R3017		NRSA02J-472X	MG RESISTOR 4.7kΩ,1/10W
R2605		NRSA02J-103X	MG RESISTOR 10kΩ,1/10W	R3018		NRSA02J-472X	MG RESISTOR 4.7kΩ,1/10W
R2606		NRSA02J-102X	MG RESISTOR 1kΩ,1/10W	R3019		NRSA02J-682X	MG RESISTOR 6.8kΩ,1/10W
R2607		NRSA02J-102X	MG RESISTOR 1kΩ,1/10W	R3021		NRSA02J-472X	MG RESISTOR 4.7kΩ,1/10W
R2608		NRSA02J-102X	MG RESISTOR 1kΩ,1/10W	R3022		NRSA02J-0R0X	MG RESISTOR 0Ω,1/10W
R2609		NRSA02J-102X	MG RESISTOR 1kΩ,1/10W	R3025		NRSA02J-0R0X	MG RESISTOR 0Ω,1/10W
R2610		NRSA02J-102X	MG RESISTOR 1kΩ,1/10W	R3026		NRSA02J-0R0X	MG RESISTOR 0Ω,1/10W
R2611		NRSA02J-102X	MG RESISTOR 1kΩ,1/10W	R3027		NRSA02J-0R0X	MG RESISTOR 0Ω,1/10W
R2613		NRSA02J-102X	MG RESISTOR 1kΩ,1/10W	R3029		NRSA02J-472X	MG RESISTOR 4.7kΩ,1/10W
R2614		NRSA02J-103X	MG RESISTOR 10kΩ,1/10W	R3030		NRSA02J-472X	MG RESISTOR 4.7kΩ,1/10W
R2616		NRSA02J-102X	MG RESISTOR 1kΩ,1/10W	R3031		NRSA02J-0R0X	MG RESISTOR 0Ω,1/10W
R2617		NRSA02J-102X	MG RESISTOR 1kΩ,1/10W	R3033		NRSA02J-0R0X	MG RESISTOR 0Ω,1/10W
R2618		NRSA02J-102X	MG RESISTOR 1kΩ,1/10W	R3034		NRSA02J-0R0X	MG RESISTOR 0Ω,1/10W
R2623		NRSA02J-223X	MG RESISTOR 22kΩ,1/10W	R3038		NRSA02J-152X	MG RESISTOR 1.5kΩ,1/10W
R2624		NRSA02J-562X	MG RESISTOR 5.6kΩ,1/10W	R3040		NRSA02J-0R0X	MG RESISTOR 0Ω,1/10W
R2625		NRSA02J-562X	MG RESISTOR 5.6kΩ,1/10W	R3041		NRSA02J-0R0X	MG RESISTOR 0Ω,1/10W
R2626		NRSA02J-223X	MG RESISTOR 22kΩ,1/10W	R3042		NRSA02J-0R0X	MG RESISTOR 0Ω,1/10W
R2627		NRSA02J-102X	MG RESISTOR 1kΩ,1/10W	R3044		NRSA02J-0R0X	MG RESISTOR 0Ω,1/10W
R2628		NRSA02J-102X	MG RESISTOR 1kΩ,1/10W	R3046		NRSA02J-102X	MG RESISTOR 1kΩ,1/10W
R2629		NRSA02J-102X	MG RESISTOR 1kΩ,1/10W	R3047		NRSA02J-102X	MG RESISTOR 1kΩ,1/10W
R2630		NRSA02J-102X	MG RESISTOR 1kΩ,1/10W	R3048		NRSA02J-221X	MG RESISTOR 220Ω,1/10W
R2631		NRSA02J-103X	MG RESISTOR 10kΩ,1/10W	R3049		NRSA02J-0R0X	MG RESISTOR 0Ω,1/10W
R2632		NRSA02J-102X	MG RESISTOR 1kΩ,1/10W	R3050		NRSA02J-0R0X	MG RESISTOR 0Ω,1/10W
R2633		NRSA02J-102X	MG RESISTOR 1kΩ,1/10W	R3051		NRSA02J-471X	MG RESISTOR 470Ω,1/10W
R2634		NRSA02J-102X	MG RESISTOR 1kΩ,1/10W	R3052		NRSA02J-471X	MG RESISTOR 470Ω,1/10W
R2635		NRSA02J-102X	MG RESISTOR 1kΩ,1/10W	R3053		NRSA02J-471X	MG RESISTOR 470Ω,1/10W
R2636		NRSA02J-103X	MG RESISTOR 10kΩ,1/10W	R3054		NRSA02J-0R0X	MG RESISTOR 0Ω,1/10W
R2637		NRSA02J-105X	MG RESISTOR 1MΩ,1/10W	R3055		NRSA02J-0R0X	MG RESISTOR 0Ω,1/10W
R2638		NRSA02J-105X	MG RESISTOR 1MΩ,1/10W	R3056		NRSA02J-102X	MG RESISTOR 1kΩ,1/10W
R2651		NRSA02J-102X	MG RESISTOR 1kΩ,1/10W	R3057		NRSA02J-102X	MG RESISTOR 1kΩ,1/10W
R2652		NRSA02J-102X	MG RESISTOR 1kΩ,1/10W	R3058		NRSA02J-102X	MG RESISTOR 1kΩ,1/10W
R2653		NRSA02J-102X	MG RESISTOR 1kΩ,1/10W	R3059		NRSA02J-102X	MG RESISTOR 1kΩ,1/10W
R2654		NRSA02J-102X	MG RESISTOR 1kΩ,1/10W	R3060		NRSA02J-471X	MG RESISTOR 470Ω,1/10W
R2655		NRSA02J-103X	MG RESISTOR 10kΩ,1/10W	R3061		NRSA02J-471X	MG RESISTOR 470Ω,1/10W
R2656		NRSA02J-102X	MG RESISTOR 1kΩ,1/10W	R3062		NRSA02J-103X	MG RESISTOR 10kΩ,1/10W
R2657		NRSA02J-102X	MG RESISTOR 1kΩ,1/10W	R3063		NRSA02J-472X	MG RESISTOR 4.7kΩ,1/10W
R2658		NRSA02J-102X	MG RESISTOR 1kΩ,1/10W	R3066		NRSA02J-472X	MG RESISTOR 4.7kΩ,1/10W
R2659		NRSA02J-102X	MG RESISTOR 1kΩ,1/10W	R3069		NRSA02J-101X	MG RESISTOR 100Ω,1/10W
R2660		NRSA02J-221X	MG RESISTOR 220Ω,1/10W	R3071		NRSA02J-103X	MG RESISTOR 10kΩ,1/10W
R2661		NRSA02J-103X	MG RESISTOR 10kΩ,1/10W	R3072		NRSA02J-0R0X	MG RESISTOR 0Ω,1/10W
R2662		NRSA02J-221X	MG RESISTOR 220Ω,1/10W	R3073		NRSA02J-0R0X	MG RESISTOR 0Ω,1/10W
R2663		NRSA02J-103X	MG RESISTOR 10kΩ,1/10W	R3075		NRSA02J-471X	MG RESISTOR 470Ω,1/10W

#	△	REF No.	PART No.	PART NAME, DESCRIPTION	#	△	REF No.	PART No.	PART NAME, DESCRIPTION	
R3076			NRSA02J-471X	MG RESISTOR	470Ω,1/10W	R3308		NRSA02J-102X	MG RESISTOR	1kΩ,1/10W
R3077			NRSA02J-102X	MG RESISTOR	1kΩ,1/10W	R3309		NRSA02J-102X	MG RESISTOR	1kΩ,1/10W
R3078			NRSA02J-103X	MG RESISTOR	10kΩ,1/10W	R3310		NRSA02J-102X	MG RESISTOR	1kΩ,1/10W
R3079			NRSA02J-102X	MG RESISTOR	1kΩ,1/10W	R3311		NRSA02J-102X	MG RESISTOR	1kΩ,1/10W
R3083			NRSA02J-0R0X	MG RESISTOR	0Ω,1/10W	R3312		NRSA02J-102X	MG RESISTOR	1kΩ,1/10W
R3085			NRSA02J-0R0X	MG RESISTOR	0Ω,1/10W	R3313		NRSA02J-102X	MG RESISTOR	1kΩ,1/10W
R3086			NRSA02J-0R0X	MG RESISTOR	0Ω,1/10W	R3314		NRSA02J-102X	MG RESISTOR	1kΩ,1/10W
R3087			NRSA02J-0R0X	MG RESISTOR	0Ω,1/10W	R3315		NRSA02J-102X	MG RESISTOR	1kΩ,1/10W
R3088			NRSA02J-0R0X	MG RESISTOR	0Ω,1/10W	R3316		NRSA02J-102X	MG RESISTOR	1kΩ,1/10W
R3089			NRSA02J-0R0X	MG RESISTOR	0Ω,1/10W	R3317		NRSA02J-102X	MG RESISTOR	1kΩ,1/10W
R3091			NRSA02J-102X	MG RESISTOR	1kΩ,1/10W	R3318		NRSA02J-102X	MG RESISTOR	1kΩ,1/10W
R3094			NRSA02J-472X	MG RESISTOR	4.7kΩ,1/10W	R3319		NRSA02J-0R0X	MG RESISTOR	0Ω,1/10W
R3095			NRSA02J-472X	MG RESISTOR	4.7kΩ,1/10W	R3320		NRSA02J-0R0X	MG RESISTOR	0Ω,1/10W
R3096			NRSA02J-0R0X	MG RESISTOR	0Ω,1/10W	R3321		NRSA02J-472X	MG RESISTOR	4.7kΩ,1/10W
R3097			NRSA02J-472X	MG RESISTOR	4.7kΩ,1/10W	R3322		NRSA02J-0R0X	MG RESISTOR	0Ω,1/10W
R3103			NRSA02J-102X	MG RESISTOR	1kΩ,1/10W	R3323		NRSA02J-0R0X	MG RESISTOR	0Ω,1/10W
R3104			NRSA02J-472X	MG RESISTOR	4.7kΩ,1/10W	R3324		NRSA02J-102X	MG RESISTOR	1kΩ,1/10W
R3105			NRSA02J-0R0X	MG RESISTOR	0Ω,1/10W	R3325		NRSA02J-102X	MG RESISTOR	1kΩ,1/10W
R3106			NRSA02J-102X	MG RESISTOR	1kΩ,1/10W	R3326		NRSA02J-102X	MG RESISTOR	1kΩ,1/10W
R3201			NRSA02J-103X	MG RESISTOR	10kΩ,1/10W	R3327		NRSA02J-102X	MG RESISTOR	1kΩ,1/10W
R3202			NRSA02J-472X	MG RESISTOR	4.7kΩ,1/10W	R3328		NRSA02J-102X	MG RESISTOR	1kΩ,1/10W
R3203			NRSA02J-103X	MG RESISTOR	10kΩ,1/10W	R3329		NRSA02J-102X	MG RESISTOR	1kΩ,1/10W
R3204			NRSA02J-222X	MG RESISTOR	2.2kΩ,1/10W	R3330		NRSA02J-102X	MG RESISTOR	1kΩ,1/10W
R3205			QRE141J-181Y	RESISTOR	180Ω,1/4W	R3331		NRSA02J-102X	MG RESISTOR	1kΩ,1/10W
R3206			NRSA02J-183X	MG RESISTOR	18kΩ,1/10W	R3332		NRSA02J-102X	MG RESISTOR	1kΩ,1/10W
R3207			NRSA02J-183X	MG RESISTOR	18kΩ,1/10W	R3333		NRSA02J-102X	MG RESISTOR	1kΩ,1/10W
R3208			NRSA02J-181X	MG RESISTOR	180Ω,1/10W	R3334		NRSA02J-0R0X	MG RESISTOR	0Ω,1/10W
R3209			NRSA02J-273X	MG RESISTOR	27kΩ,1/10W	R3335		NRSA02J-0R0X	MG RESISTOR	0Ω,1/10W
R3210			NRSA02J-181X	MG RESISTOR	180Ω,1/10W	R3336		NRSA02J-0R0X	MG RESISTOR	0Ω,1/10W
R3211			NRSA02J-273X	MG RESISTOR	27kΩ,1/10W	R3337		NRSA02J-0R0X	MG RESISTOR	0Ω,1/10W
R3212			NRSA02J-474X	MG RESISTOR	470kΩ,1/10W	R3338		NRSA02J-0R0X	MG RESISTOR	0Ω,1/10W
R3213			NRSA02J-334X	MG RESISTOR	330kΩ,1/10W	R3339		NRSA02J-0R0X	MG RESISTOR	0Ω,1/10W
R3214			NRSA02J-103X	MG RESISTOR	10kΩ,1/10W	R3340		NRSA02J-102X	MG RESISTOR	1kΩ,1/10W
R3215			NRSA02J-103X	MG RESISTOR	10kΩ,1/10W	R3341		NRSA02J-102X	MG RESISTOR	1kΩ,1/10W
R3216			NRSA02J-103X	MG RESISTOR	10kΩ,1/10W	R3342		NRSA02J-102X	MG RESISTOR	1kΩ,1/10W
R3217			NRSA02J-562X	MG RESISTOR	5.6kΩ,1/10W	R3343		NRSA02J-102X	MG RESISTOR	1kΩ,1/10W
R3218			QRE141J-472Y	RESISTOR	4.7kΩ,1/4W	R3344		NRSA02J-102X	MG RESISTOR	1kΩ,1/10W
R3219			NRSA02J-472X	MG RESISTOR	4.7kΩ,1/10W	R3346		NRSA02J-102X	MG RESISTOR	1kΩ,1/10W
R3220			NRSA02J-104X	MG RESISTOR	100kΩ,1/10W	R3347		NRSA02J-102X	MG RESISTOR	1kΩ,1/10W
R3222			NRSA02J-472X	MG RESISTOR	4.7kΩ,1/10W	R3348		NRSA02J-102X	MG RESISTOR	1kΩ,1/10W
R3223			NRSA02J-472X	MG RESISTOR	4.7kΩ,1/10W	R3349		NRSA02J-102X	MG RESISTOR	1kΩ,1/10W
R3224			NRSA02J-472X	MG RESISTOR	4.7kΩ,1/10W	R3350		NRSA02J-102X	MG RESISTOR	1kΩ,1/10W
R3225			NRSA02J-103X	MG RESISTOR	10kΩ,1/10W	R3351		NRSA02J-102X	MG RESISTOR	1kΩ,1/10W
R3229			NRSA02J-105X	MG RESISTOR	1MΩ,1/10W	R3352		NRSA02J-102X	MG RESISTOR	1kΩ,1/10W
R3230			NRSA02J-472X	MG RESISTOR	4.7kΩ,1/10W	R3353		NRSA02J-102X	MG RESISTOR	1kΩ,1/10W
R3231			NRSA02J-102X	MG RESISTOR	1kΩ,1/10W	R3354		NRSA02J-102X	MG RESISTOR	1kΩ,1/10W
R3233			NRSA02J-103X	MG RESISTOR	10kΩ,1/10W	R3355		NRSA02J-102X	MG RESISTOR	1kΩ,1/10W
R3234			NRSA02J-103X	MG RESISTOR	10kΩ,1/10W	R3357		NRSA02J-102X	MG RESISTOR	1kΩ,1/10W
R3235			NRSA02J-102X	MG RESISTOR	1kΩ,1/10W	R3358		NRSA02J-102X	MG RESISTOR	1kΩ,1/10W
R3236			NRSA02J-102X	MG RESISTOR	1kΩ,1/10W	R3360		NRSA02J-102X	MG RESISTOR	1kΩ,1/10W
R3237			NRSA02J-103X	MG RESISTOR	10kΩ,1/10W	R3361		NRSA02J-102X	MG RESISTOR	1kΩ,1/10W
R3238			NRSA02J-103X	MG RESISTOR	10kΩ,1/10W	R3362		NRSA02J-102X	MG RESISTOR	1kΩ,1/10W
R3239			NRSA02J-103X	MG RESISTOR	10kΩ,1/10W	R3363		NRSA02J-102X	MG RESISTOR	1kΩ,1/10W
R3241			NRSA02J-104X	MG RESISTOR	100kΩ,1/10W	R3364		NRSA02J-102X	MG RESISTOR	1kΩ,1/10W
R3251			NRSA02J-103X	MG RESISTOR	10kΩ,1/10W	R3365		NRSA02J-102X	MG RESISTOR	1kΩ,1/10W
R3258			NRSA02J-472X	MG RESISTOR	4.7kΩ,1/10W	R3366		NRSA02J-102X	MG RESISTOR	1kΩ,1/10W
R3301			NRSA02J-102X	MG RESISTOR	1kΩ,1/10W	R3369		NRSA02J-105X	MG RESISTOR	1MΩ,1/10W
R3302			NRSA02J-102X	MG RESISTOR	1kΩ,1/10W	R3371		NRSA02J-102X	MG RESISTOR	1kΩ,1/10W
R3303			NRSA02J-102X	MG RESISTOR	1kΩ,1/10W	R3376		NRSA02J-102X	MG RESISTOR	1kΩ,1/10W
R3305			NRSA02J-102X	MG RESISTOR	1kΩ,1/10W	R3377		NRSA02J-102X	MG RESISTOR	1kΩ,1/10W
R3306			NRSA02J-102X	MG RESISTOR	1kΩ,1/10W	R3378		NRSA02J-102X	MG RESISTOR	1kΩ,1/10W
						R3379		NRSA02J-102X	MG RESISTOR	1kΩ,1/10W

#	△ REF No.	PART No.	PART NAME, DESCRIPTION	#	△ REF No.	PART No.	PART NAME, DESCRIPTION
R3380		NRSA02J-102X	MG RESISTOR 1kΩ,1/10W	B716		NRSA02J-0R0X	MG RESISTOR 0Ω,1/10W
R3401		NRSA02J-103X	MG RESISTOR 10kΩ,1/10W	B718		NRSA02J-0R0X	MG RESISTOR 0Ω,1/10W
R3402		NRSA02J-473X	MG RESISTOR 47kΩ,1/10W	B721		NRSA02J-0R0X	MG RESISTOR 0Ω,1/10W
R3403		NRSA02J-103X	MG RESISTOR 10kΩ,1/10W	B726		NRSA02J-0R0X	MG RESISTOR 0Ω,1/10W
R3412		NRSA02J-102X	MG RESISTOR 1kΩ,1/10W	B727		NRSA02J-0R0X	MG RESISTOR 0Ω,1/10W
R3417		NRSA02J-102X	MG RESISTOR 1kΩ,1/10W	B728		NRSA02J-0R0X	MG RESISTOR 0Ω,1/10W
R3418		NRSA02J-103X	MG RESISTOR 10kΩ,1/10W	B729		NRSA02J-0R0X	MG RESISTOR 0Ω,1/10W
R3419		NRSA02J-101X	MG RESISTOR 100Ω,1/10W	B731		NRSA02J-0R0X	MG RESISTOR 0Ω,1/10W
R3424		NRSA02J-473X	MG RESISTOR 47kΩ,1/10W	B732		NRSA02J-0R0X	MG RESISTOR 0Ω,1/10W
R3425		NRSA02J-472X	MG RESISTOR 4.7kΩ,1/10W	B733		NRSA02J-0R0X	MG RESISTOR 0Ω,1/10W
R4001		NRSA02J-472X	MG RESISTOR 4.7kΩ,1/10W	B738		NRSA02J-0R0X	MG RESISTOR 0Ω,1/10W
R4003		NRSA02J-561X	MG RESISTOR 560Ω,1/10W	B741		NRSA02J-0R0X	MG RESISTOR 0Ω,1/10W
R4004		NRSA02J-561X	MG RESISTOR 560Ω,1/10W	B2012		NRSA02J-0R0X	MG RESISTOR 0Ω,1/10W
R4005		NRSA02J-562X	MG RESISTOR 5.6kΩ,1/10W	B2101		NRSA02J-0R0X	MG RESISTOR 0Ω,1/10W
R4007		NRSA02J-102X	MG RESISTOR 1kΩ,1/10W	B2610		NRSA02J-0R0X	MG RESISTOR 0Ω,1/10W
R4008		NRSA02J-102X	MG RESISTOR 1kΩ,1/10W	B3003		NRSA02J-0R0X	MG RESISTOR 0Ω,1/10W
R4009		NRSA02J-102X	MG RESISTOR 1kΩ,1/10W	B3015		NRSA02J-0R0X	MG RESISTOR 0Ω,1/10W
R4010		NRSA02J-102X	MG RESISTOR 1kΩ,1/10W	B3016		NRSA02J-0R0X	MG RESISTOR 0Ω,1/10W
R4011		NRSA02J-222X	MG RESISTOR 2.2kΩ,1/10W	B3026		NRSA02J-0R0X	MG RESISTOR 0Ω,1/10W
R4012		NRSA02J-222X	MG RESISTOR 2.2kΩ,1/10W	B3302		QUY160-150Y	IM BUS WIRE
R4013		NRSA02J-102X	MG RESISTOR 1kΩ,1/10W	B6001		NRSA02J-0R0X	MG RESISTOR 0Ω,1/10W
R4014		NRSA02J-222X	MG RESISTOR 2.2kΩ,1/10W	B6032		NRSA02J-0R0X	MG RESISTOR 0Ω,1/10W
R4015		NRSA02J-223X	MG RESISTOR 22kΩ,1/10W	B6565		NRSA02J-0R0X	MG RESISTOR 0Ω,1/10W
R4016		NRSA02J-103X	MG RESISTOR 10kΩ,1/10W	B6566		NRSA02J-0R0X	MG RESISTOR 0Ω,1/10W
R4017		NRSA02J-102X	MG RESISTOR 1kΩ,1/10W	B7503		NRSA02J-0R0X	MG RESISTOR 0Ω,1/10W
R4018		NRSA02J-102X	MG RESISTOR 1kΩ,1/10W	B7509		NRSA02J-0R0X	MG RESISTOR 0Ω,1/10W
R4019		NRSA02J-103X	MG RESISTOR 10kΩ,1/10W	B7510		NRSA02J-0R0X	MG RESISTOR 0Ω,1/10W
R4020		NRSA02J-103X	MG RESISTOR 10kΩ,1/10W	B7511		NRSA02J-0R0X	MG RESISTOR 0Ω,1/10W
R4021		NRSA02J-103X	MG RESISTOR 10kΩ,1/10W	B7512		NRSA02J-0R0X	MG RESISTOR 0Ω,1/10W
R6020		NRSA02J-471X	MG RESISTOR 470Ω,1/10W	B7514		NRSA02J-0R0X	MG RESISTOR 0Ω,1/10W
R6021		NRSA02J-471X	MG RESISTOR 470Ω,1/10W	B7516		NRSA02J-0R0X	MG RESISTOR 0Ω,1/10W
R6022		NRSA02J-471X	MG RESISTOR 470Ω,1/10W	B7518		NRSA02J-0R0X	MG RESISTOR 0Ω,1/10W
R6030		NRSA02J-102X	MG RESISTOR 1kΩ,1/10W	B7519		NRSA02J-0R0X	MG RESISTOR 0Ω,1/10W
R6031		NRSA02J-0R0X	MG RESISTOR 0Ω,1/10W	C1		NCB21EK-103X	CAPACITOR 0.01μF,25V
R6032		NRSA02J-332X	MG RESISTOR 3.3kΩ,1/10W	C2		NCB21EK-103X	CAPACITOR 0.01μF,25V
R6033		NRSA02J-182X	MG RESISTOR 1.8kΩ,1/10W	C3		NCB21EK-103X	CAPACITOR 0.01μF,25V
R6060		NRSA02J-103X	MG RESISTOR 10kΩ,1/10W	C4		NCB21EK-103X	CAPACITOR 0.01μF,25V
R6061		NRSA02J-103X	MG RESISTOR 10kΩ,1/10W	C5		QEKJ0JM-476	E CAPACITOR 47μF,6.3V
R6508		NRSA02J-0R0X	MG RESISTOR 0Ω,1/10W	C6		NCB11EK-104X	CAPACITOR 0.1μF,25V
R6510		NRSA02J-0R0X	MG RESISTOR 0Ω,1/10W	C7		NCB21HK-102X	CAPACITOR 0.001μF,50V
R6553		NRSA02J-0R0X	MG RESISTOR 0Ω,1/10W	C8		NCB21EK-104X	CAPACITOR 0.1μF,25V
R6554		NRSA02J-0R0X	MG RESISTOR 0Ω,1/10W	C9		QEKJ1HM-225	E CAPACITOR 2.2μF,50V
R7505		NRSA02J-221X	MG RESISTOR 220Ω,1/10W	C10		NDC21HG-151X	CAPACITOR 150pF,50V
R7506		NRSA02J-472X	MG RESISTOR 4.7kΩ,1/10W	C11		NCB21EK-104X	CAPACITOR 0.1μF,25V
R7507		QRE121J-100Y	RESISTOR 10Ω,1/2W	C14		NCB21EK-104X	CAPACITOR 0.1μF,25V
R7508		NRSA02J-562X	MG RESISTOR 5.6kΩ,1/10W	C15		NCB21EK-103X	CAPACITOR 0.01μF,25V
R7514		NRSA02J-0R0X	MG RESISTOR 0Ω,1/10W	C16		NCB11EK-104X	CAPACITOR 0.1μF,25V
B18		NRSA02J-0R0X	MG RESISTOR 0Ω,1/10W	C17		QEKJ1HM-335	E CAPACITOR 3.3μF,50V
B22		NRSA02J-103X	MG RESISTOR 10kΩ,1/10W	C18		QEKJ1HM-105	E CAPACITOR 1μF,50V
B26		NRSA02J-0R0X	MG RESISTOR 0Ω,1/10W	C19		QEKJ1HM-225	E CAPACITOR 2.2μF,50V
B37		NRSA02J-0R0X	MG RESISTOR 0Ω,1/10W	C20		QEKJ1HM-105	E CAPACITOR 1μF,50V
B38		NRSA02J-0R0X	MG RESISTOR 0Ω,1/10W	C21		NCB21EK-104X	CAPACITOR 0.1μF,25V
B42		NRSA02J-0R0X	MG RESISTOR 0Ω,1/10W	C22		QEKJ0JM-476	E CAPACITOR 47μF,6.3V
B46		NRSA02J-0R0X	MG RESISTOR 0Ω,1/10W	C23		NCB21EK-104X	CAPACITOR 0.1μF,25V
B49		NRSA02J-0R0X	MG RESISTOR 0Ω,1/10W	C24		NCB21EK-104X	CAPACITOR 0.1μF,25V
B50		NRSA02J-0R0X	MG RESISTOR 0Ω,1/10W	C25		NDC21HJ-6R0X	CAPACITOR 6pF,50V
B55		NRSA02J-0R0X	MG RESISTOR 0Ω,1/10W	C26		NCB21EK-104X	CAPACITOR 0.1μF,25V
B56		NRSA02J-0R0X	MG RESISTOR 0Ω,1/10W	C27		NCB21HK-223X	CAPACITOR 0.022μF,50V
B57		NRSA02J-0R0X	MG RESISTOR 0Ω,1/10W	C28		QEKJ1HM-335	E CAPACITOR 3.3μF,50V
B701		NRSA02J-0R0X	MG RESISTOR 0Ω,1/10W	C29		NCB21EK-333X	CAPACITOR 0.033μF,25V
B707		NRSA02J-0R0X	MG RESISTOR 0Ω,1/10W	C30		NCB21CK-474X	CAPACITOR 0.47μF,16V

#	△	REF No.	PART No.	PART NAME, DESCRIPTION		#	△	REF No.	PART No.	PART NAME, DESCRIPTION	
C31			QEKJ0JM-476	E CAPACITOR	47μF,6.3V	C704			NCB21HK-103X	CAPACITOR	0.01μF,50V
C33			QEKJ1HM-225	E CAPACITOR	2.2μF,50V	C705			NCB21HK-103X	CAPACITOR	0.01μF,50V
C34			NCB21EK-104X	CAPACITOR	0.1μF,25V	C706			QEKJ0JM-476	E CAPACITOR	47μF,6.3V
C35			NCB21HK-103X	CAPACITOR	0.01μF,50V	C707			NRSA02J-153X	MG RESISTOR	15kΩ, 1/10W
C36			QEKJ1EM-475	E CAPACITOR	4.7μF,25V	C708			NCB21HK-103X	CAPACITOR	0.01μF,50V
C37			NCB21AK-105X	CAPACITOR	1μF,10V	C709			QEKJ0JM-337	E CAPACITOR	330μF,6.3V
C38			QEKJ0JM-476	E CAPACITOR	47μF,6.3V	C711			NCB21HK-103X	CAPACITOR	0.01μF,50V
C39			NCB21EK-104X	CAPACITOR	0.1μF,25V	C712			NCB21HK-103X	CAPACITOR	0.01μF,50V
C40			QEKJ1CM-106	E CAPACITOR	10μF,16V	C713			NCB21HK-103X	CAPACITOR	0.01μF,50V
C53			NDC21HJ-101X	CAPACITOR	100pF,50V	C714			NCB21HK-103X	CAPACITOR	0.01μF,50V
C59			NCB21EK-104X	CAPACITOR	0.1μF,25V	C715			QEKJ1CM-226	E CAPACITOR	22μF,16V
C60			QEKJ0JM-476	E CAPACITOR	47μF,6.3V	C717			QEKJ1HM-105	E CAPACITOR	1μF,50V
C61			NCB21HK-103X	CAPACITOR	0.01μF,50V	C718			QEKJ1HM-225	E CAPACITOR	2.2μF,50V
C63			NCB21EK-104X	CAPACITOR	0.1μF,25V	C719			NCB21HK-103X	CAPACITOR	0.01μF,50V
C64			NDC21HJ-220X	CAPACITOR	22pF,50V	C720			QEKJ1HM-225	E CAPACITOR	2.2μF,50V
C65			QEKJ1HM-105	E CAPACITOR	1μF,50V	C721			NDC21HJ-101X	CAPACITOR	100pF,50V
C69			NCB21EK-104X	CAPACITOR	0.1μF,25V	C722			NCB21HK-103X	CAPACITOR	0.01μF,50V
C70			NCB21EK-104X	CAPACITOR	0.1μF,25V	C757			QEKJ1HM-225	E CAPACITOR	2.2μF,50V
C72			NDC21HJ-470X	CAPACITOR	47pF,50V	C758			NDC21HJ-101X	CAPACITOR	100pF,50V
C73			NDC21HJ-120X	CAPACITOR	12pF,50V	C759			QEPF1HM-225	NP E CAPACITOR	2.2μF,50V
C76			NCB21HK-103X	CAPACITOR	0.01μF,50V	C760			NCB21HK-103X	CAPACITOR	0.01μF,50V
C77			NCB21HK-103X	CAPACITOR	0.01μF,50V	C761			QEKJ1HM-225	E CAPACITOR	2.2μF,50V
C78			NCB21HK-103X	CAPACITOR	0.01μF,50V	C762			NDC21HJ-101X	CAPACITOR	100pF,50V
C79			NDC21HJ-390X	CAPACITOR	39pF,50V	C763			QEKJ1HM-105	E CAPACITOR	1μF,50V
C80			NCB21HK-103X	CAPACITOR	0.01μF,50V	C764			QEKJ0JM-107	E CAPACITOR	100μF,6.3V
C84			NRSA02J-682X	MG RESISTOR	6.8kΩ, 1/10W	C765			NCB21HK-332X	CAPACITOR	0.0033μF,50V
C93			NDC21HJ-220X	CAPACITOR	22pF,50V	C766			NCB21HK-103X	CAPACITOR	0.01μF,50V
C94			NRSA02J-0R0X	MG RESISTOR	0Ω, 1/10W	C767			NCB21HK-473X	CAPACITOR	0.047μF,50V
C103			NCB21HK-103X	CAPACITOR	0.01μF,50V	C768			QEKJ0JM-226	E CAPACITOR	22μF,6.3V
C106			NCB21HK-821X	CAPACITOR	820pF,50V	C769			QEKJ1CM-106	E CAPACITOR	10μF,16V
C108			NDC21HJ-680X	CAPACITOR	68pF,50V	C770			QEKJ1CM-106	E CAPACITOR	10μF,16V
C109			NCB21CK-224X	CAPACITOR	0.22μF,16V	C771			QEKJ1EM-475	E CAPACITOR	4.7μF,25V
C110			NDC21HJ-820X	CAPACITOR	82pF,50V	C772			NCB21HK-103X	CAPACITOR	0.01μF,50V
C114			NDC21HJ-181X	CAPACITOR	180pF,50V	C773			NDC21HJ-470X	CAPACITOR	47pF,50V
C131			NCB21HK-103X	CAPACITOR	0.01μF,50V	C774			QEKJ1CM-106	E CAPACITOR	10μF,16V
C301			NDC21HJ-151X	CAPACITOR	150pF,50V	C776			NCB21HK-103X	CAPACITOR	0.01μF,50V
C302			QEKJ1HM-225	E CAPACITOR	2.2μF,50V	C777			QEKJ1CM-106	E CAPACITOR	10μF,16V
C303			NCB21HK-682X	CAPACITOR	0.0068μF,50V	C779			NDC21HJ-150X	CAPACITOR	15pF,50V
C304			NCB21HK-682X	CAPACITOR	0.0068μF,50V	C780			NCB21HK-103X	CAPACITOR	0.01μF,50V
C305			NCB21HK-103X	CAPACITOR	0.01μF,50V	C781			QEKJ0JM-476	E CAPACITOR	47μF,6.3V
C307			NDC21HJ-151X	CAPACITOR	150pF,50V	C782			NCB21HK-103X	CAPACITOR	0.01μF,50V
C308			NCB21HK-103X	CAPACITOR	0.01μF,50V	C783			QEKJ1CM-106	E CAPACITOR	10μF,16V
C309			NCB21EK-104X	CAPACITOR	0.1μF,25V	C791			QEKJ0JM-476	E CAPACITOR	47μF,6.3V
C310			NCB21HK-103X	CAPACITOR	0.01μF,50V	C799			QEKJ0JM-476	E CAPACITOR	47μF,6.3V
C312			NCB21HK-102X	CAPACITOR	0.001μF,50V	C800			NCB21HK-103X	CAPACITOR	0.01μF,50V
C313			NCB21CK-474X	CAPACITOR	0.47μF,16V	C801			NCB21HK-103X	CAPACITOR	0.01μF,50V
C315			NCB21AK-105X	CAPACITOR	1μF,10V	C802			NCB21HK-103X	CAPACITOR	0.01μF,50V
C316			NCB21HK-103X	CAPACITOR	0.01μF,50V	C803			NCB21HK-103X	CAPACITOR	0.01μF,50V
C317			NDC21HJ-681X	CAPACITOR	680pF,50V	C2001			QETJ1HM-475	E CAPACITOR	4.7μF,50V
C318			NCB21EK-223X	CAPACITOR	0.022μF,25V	C2002			QEKJ1CM-106	E CAPACITOR	10μF,16V
C319			NCB21AK-105X	CAPACITOR	1μF,10V	C2003			QEKJ0JM-476	E CAPACITOR	47μF,6.3V
C320			NCB21HK-103X	CAPACITOR	0.01μF,50V	C2004			NCB21HK-103X	CAPACITOR	0.01μF,50V
C321			NDC21HG-301X	CAPACITOR	300pF,50V	C2005			QEKJ1EM-475	E CAPACITOR	4.7μF,25V
C322			NCB21CK-474X	CAPACITOR	0.47μF,16V	C2006			NCB21HK-123X	CAPACITOR	0.012μF,50V
C323			QEKJ0JM-476	E CAPACITOR	47μF,6.3V	C2007			QEKJ1CM-226	E CAPACITOR	22μF,16V
C401			NCB21HK-103X	CAPACITOR	0.01μF,50V	C2008			QEKJ1EM-475	E CAPACITOR	4.7μF,25V
C402			NCB21HK-223X	CAPACITOR	0.022μF,50V	C2009			NCB21HK-122X	CAPACITOR	0.0012μF,50V
C403			NDC21HJ-131X	CAPACITOR	130pF,50V	C2010			NCB21HK-152X	CAPACITOR	0.0015μF,50V
C404			NDC21HJ-470X	CAPACITOR	47pF,50V	C2011			QEKJ1EM-475	E CAPACITOR	4.7μF,25V
C406			NCB21HK-102X	CAPACITOR	0.001μF,50V	C2012			QEKJ1EM-475	E CAPACITOR	4.7μF,25V
C407			NDC21HJ-150X	CAPACITOR	15pF,50V	C2013			NCB21HK-331X	CAPACITOR	330pF,50V

#	△ REF No.	PART No.	PART NAME, DESCRIPTION	#	△ REF No.	PART No.	PART NAME, DESCRIPTION	
C2021		NCB21HK-103X	CAPACITOR	0.01μF,50V	C2660	QEKJ1CM-106	E CAPACITOR	10μF,16V
C2051		NCB21HK-331X	CAPACITOR	330pF,50V	C2661	QEKJ1CM-106	E CAPACITOR	10μF,16V
C2052		QFLC1HJ-333Z	F CAPACITOR	0.033μF,50V	C2681	QEKJ1CM-106	E CAPACITOR	10μF,16V
C2053		NCB21HK-472X	CAPACITOR	0.0047μF,50V	C2682	QEKJ1CM-476	E CAPACITOR	47μF,16V
C2054		NCB21HK-103X	CAPACITOR	0.01μF,50V	C2683	QEKJ1CM-476	E CAPACITOR	47μF,16V
C2055		QEKJ1CM-106	E CAPACITOR	10μF,16V	C3001	NCB21EK-104X	CAPACITOR	0.1μF,25V
C2061		QFLC1HJ-333Z	F CAPACITOR	0.033μF,50V	C3002	NCB21HK-103X	CAPACITOR	0.01μF,50V
C2062		NCB21HK-332X	CAPACITOR	0.0033μF,50V	C3003	QEKJ1CM-106	E CAPACITOR	10μF,16V
C2063		NCB21HK-103X	CAPACITOR	0.01μF,50V	C3004	NCB21EK-104X	CAPACITOR	0.1μF,25V
C2064		QEKJ1CM-106	E CAPACITOR	10μF,16V	C3008	NCB21HK-102X	CAPACITOR	0.001μF,50V
C2121		QEKJ1CM-476	E CAPACITOR	47μF,16V	C3010	QEZ0244-229	EDL CAPACITOR	0.0022F,5.5V
C2201		NCB21EK-104X	CAPACITOR	0.1μF,25V	C3012	QEKJ0JM-107	E CAPACITOR	100μF,6.3V
C2202		NCB21EK-333X	CAPACITOR	0.033μF,25V	C3015	NCB21EK-104X	CAPACITOR	0.1μF,25V
C2203		QEKJ1CM-106	E CAPACITOR	10μF,16V	C3016	NCB21EK-104X	CAPACITOR	0.1μF,25V
C2204		NCB21HK-102X	CAPACITOR	0.001μF,50V	C3022	NCB21EK-104X	CAPACITOR	0.1μF,25V
C2205		QEKJ1HM-105	E CAPACITOR	1μF,50V	C3024	NDC21HJ-120X	CAPACITOR	12pF,50V
C2207		QEKJ1CM-476	E CAPACITOR	47μF,16V	C3027	QERF1CM-106	E CAPACITOR	10μF,16V
C2208		QETJ1HM-475	E CAPACITOR	4.7μF,50V	C3030	QERF1CM-226	E CAPACITOR	22μF,16V
C2213		QEKJ1CM-106	E CAPACITOR	10μF,16V	C3031	NCB21EK-104X	CAPACITOR	0.1μF,25V
C2214		QEKJ1CM-106	E CAPACITOR	10μF,16V	C3032	NCB21EK-104X	CAPACITOR	0.1μF,25V
C2215		QERF1EM-475	E CAPACITOR	4.7μF,25V	C3033	NCB21EK-104X	CAPACITOR	0.1μF,25V
C2216		QEKJ1HM-474	E CAPACITOR	0.47μF,50V	C3036	NDC21HJ-180X	CAPACITOR	18pF,50V
C2217		QEKJ1CM-106	E CAPACITOR	10μF,16V	C3037	NDC21HJ-120X	CAPACITOR	12pF,50V
C2218		QEKJ1HM-474	E CAPACITOR	0.47μF,50V	C3040	NCB21HK-103X	CAPACITOR	0.01μF,50V
C2219		QEKJ1CM-106	E CAPACITOR	10μF,16V	C3041	NDC21HJ-100X	CAPACITOR	10pF,50V
C2220		QEKJ1EM-475	E CAPACITOR	4.7μF,25V	C3042	QETJ0JM-477	E CAPACITOR	470μF,6.3V
C2221		NCB21HK-103X	CAPACITOR	0.01μF,50V	C3054	NCB21EK-104X	CAPACITOR	0.1μF,25V
C2222		QEKJ1HM-474	E CAPACITOR	0.47μF,50V	C3310	NCB21HK-103X	CAPACITOR	0.01μF,50V
C2223		QEKJ1HM-474	E CAPACITOR	0.47μF,50V	C3311	QEKJ1HM-335	E CAPACITOR	3.3μF,50V
C2224		NCB21HK-103X	CAPACITOR	0.01μF,50V	C3312	NCB21HK-103X	CAPACITOR	0.01μF,50V
C2225		QEKJ1EM-475	E CAPACITOR	4.7μF,25V	C3313	NCB21EK-473X	CAPACITOR	0.047μF,25V
C2226		QEKJ1CM-106	E CAPACITOR	10μF,16V	C4002	NCB21EK-104X	CAPACITOR	0.1μF,25V
C2227		NCB21CK-104X	CAPACITOR	0.1μF,16V	C4003	NCB21HK-102X	CAPACITOR	0.001μF,50V
C2228		NCB21CK-104X	CAPACITOR	0.1μF,16V	C4004	QERF1CM-226	E CAPACITOR	22μF,16V
C2229		NDC21HJ-101X	CAPACITOR	100pF,50V	C4006	QERF0JM-476	E CAPACITOR	47μF,6.3V
C2230		NDC21HJ-101X	CAPACITOR	100pF,50V	C4007	NCB21HJ-102X	CAPACITOR	0.001μF,50V
C2231		NCB21HK-222X	CAPACITOR	0.0022μF,50V	C4008	NCB21AK-105X	CAPACITOR	1μF,10V
C2251		QEKJ1CM-476	E CAPACITOR	47μF,16V	C4009	NCB21HK-563X	CAPACITOR	0.056μF,50V
C2252		NCB21HK-103X	CAPACITOR	0.01μF,50V	C4010	NCB21EK-223X	CAPACITOR	0.022μF,25V
C2253		NCB21CK-104X	CAPACITOR	0.1μF,16V	C4011	NCB21EK-104X	CAPACITOR	0.1μF,25V
C2254		NCB21CK-104X	CAPACITOR	0.1μF,16V	C4012	NCB21EK-224X	CAPACITOR	0.22μF,25V
C2255		NDC21HJ-181X	CAPACITOR	180pF,50V	C4013	NCB21HK-563X	CAPACITOR	0.056μF,50V
C2601		QEKJ1CM-106	E CAPACITOR	10μF,16V	C4014	NDC21HJ-101X	CAPACITOR	100pF,50V
C2602		NDC21HJ-101X	CAPACITOR	100pF,50V	C4015	NDC21HJ-331X	CAPACITOR	330pF,50V
C2603		NDC21HJ-101X	CAPACITOR	100pF,50V	C4016	NCB21HK-681X	CAPACITOR	680pF,50V
C2604		QEKJ1CM-476	E CAPACITOR	47μF,16V	C4017	NCB21HK-222X	CAPACITOR	0.0022μF,50V
C2605		QEKJ1CM-106	E CAPACITOR	10μF,16V	C6007	QEKJ0JM-337	E CAPACITOR	330μF,6.3V
C2606		QEKJ1HM-105	E CAPACITOR	1μF,50V	C6014	NCB21HK-103X	CAPACITOR	0.01μF,50V
C2607		QEKJ1HM-105	E CAPACITOR	1μF,50V	C6023	NCB21HK-103X	CAPACITOR	0.01μF,50V
C2610		NDC21HJ-101X	CAPACITOR	100pF,50V	C6027	NCB21HK-103X	CAPACITOR	0.01μF,50V
C2611		NDC21HJ-101X	CAPACITOR	100pF,50V	C6032	NCB21HK-473X	CAPACITOR	0.047μF,50V
C2612		QEKJ1CM-106	E CAPACITOR	10μF,16V	C6033	NRSA02J-0R0X	MG RESISTOR	0Ω,1/10W
C2651		QEKJ1CM-106	E CAPACITOR	10μF,16V	C6037	QEKJ1CM-106	E CAPACITOR	10μF,16V
C2652		QEKJ1CM-106	E CAPACITOR	10μF,16V	C6553	QEKJ1CM-336	E CAPACITOR	33μF,16V
C2653		NDC21HJ-101X	CAPACITOR	100pF,50V	C6555	NCF21EZ-104X	CAPACITOR	0.1μF,25V
C2654		NDC21HJ-101X	CAPACITOR	100pF,50V	C7503	QETJ0JM-477	E CAPACITOR	470μF,6.3V
C2655		QEKJ1CM-106	E CAPACITOR	10μF,16V	L1	QQL29BJ-100Z	COIL	10μH
C2656		QEKJ1CM-106	E CAPACITOR	10μF,16V	L3	QQL29BJ-100Z	COIL	10μH
C2657		QEKJ1CM-106	E CAPACITOR	10μF,16V	L4	QQL29BJ-100Z	COIL	10μH
C2658		QEKJ1CM-106	E CAPACITOR	10μF,16V	L5	QQR0657-019Z	NOISE FILTER	
C2659		QEKJ1CM-106	E CAPACITOR	10μF,16V	L12	QQR0967-001	COIL	12μH

#	△ REF No.	PART No.	PART NAME, DESCRIPTION	#	△ REF No.	PART No.	PART NAME, DESCRIPTION
		or 2PC4081/R-X	TRANSISTOR	C1412		NDC21HJ-680X	CAPACITOR 68pF,50V
D1401		RD4.3ES/B2/-T2	ZENER DIODE	C1413		NDC21HJ-330X	CAPACITOR 33pF,50V
		or MTZJ4.3B	ZENER DIODE	C1415		NCF21EZ-104X	CAPACITOR 0.1μF,25V
D1402		1SS133	DIODE	C1416		QEKJ1CM-106	E CAPACITOR 10μF,16V
		or 1N4148M	DIODE	C1417		NCF21EZ-104X	CAPACITOR 0.1μF,25V
R1401		NRSA02J-181X	MG RESISTOR 180Ω,1/10W	C1421		NDC21HJ-330X	CAPACITOR 33pF,50V
R1402		NRSA02J-101X	MG RESISTOR 100Ω,1/10W	C1422		NDC21HJ-680X	CAPACITOR 68pF,50V
R1404		NRSA02J-182X	MG RESISTOR 1.8kΩ,1/10W	C1423		NCF21EZ-104X	CAPACITOR 0.1μF,25V
R1406		NRSA02J-471X	MG RESISTOR 470Ω,1/10W	C1424		NCB21HK-103X	CAPACITOR 0.01μF,50V
R1407		NRSA02J-272X	MG RESISTOR 2.7kΩ,1/10W	C1425		NCB21HK-103X	CAPACITOR 0.01μF,50V
R1408		NRSA02J-122X	MG RESISTOR 1.2kΩ,1/10W	C1426		NDC21HJ-390X	CAPACITOR 39pF,50V
R1410		NRSA02J-391X	MG RESISTOR 390Ω,1/10W	C1428		NDC21HJ-220X	CAPACITOR 22pF,50V
R1411		NRSA02J-152X	MG RESISTOR 1.5kΩ,1/10W	C1429		QEKJ0JM-337	E CAPACITOR 330μF,6.3V
R1413		NRSA02J-331X	MG RESISTOR 330Ω,1/10W	C1430		NCF21EZ-104X	CAPACITOR 0.1μF,25V
R1414		NRSA02J-821X	MG RESISTOR 820Ω,1/10W	C1432		NCF21CZ-105X	CAPACITOR 1μF,16V
R1415		NRSA02J-221X	MG RESISTOR 220Ω,1/10W	C1433		NCF21EZ-104X	CAPACITOR 0.1μF,25V
R1416		NRSA02J-104X	MG RESISTOR 100kΩ,1/10W	C1435		NCF21EZ-104X	CAPACITOR 0.1μF,25V
R1417		NRSA02J-101X	MG RESISTOR 100Ω,1/10W	C1436		NCF21EZ-104X	CAPACITOR 0.1μF,25V
R1418		NRSA02J-471X	MG RESISTOR 470Ω,1/10W	C1437		NCF21EZ-104X	CAPACITOR 0.1μF,25V
R1421		NRSA02J-391X	MG RESISTOR 390Ω,1/10W	C1438		NCF21EZ-104X	CAPACITOR 0.1μF,25V
R1426		NRSA02J-561X	MG RESISTOR 560Ω,1/10W	C1439		NCF21CZ-105X	CAPACITOR 1μF,16V
R1427		NRSA02J-333X	MG RESISTOR 33kΩ,1/10W	C1440		NCF21EZ-104X	CAPACITOR 0.1μF,25V
R1428		NRSA02J-393X	MG RESISTOR 39kΩ,1/10W	C1441		NCF21EZ-104X	CAPACITOR 0.1μF,25V
R1429		NRSA02J-152X	MG RESISTOR 1.5kΩ,1/10W	C1442		NCF21CZ-105X	CAPACITOR 1μF,16V
R1430		NRSA02J-222X	MG RESISTOR 2.2kΩ,1/10W	C1444		NCF21EZ-104X	CAPACITOR 0.1μF,25V
R1431		NRSA02J-821X	MG RESISTOR 820Ω,1/10W	C1445		NCF21EZ-104X	CAPACITOR 0.1μF,25V
R1432		NRSA02J-182X	MG RESISTOR 1.8kΩ,1/10W	C1446		QEKJ0JM-107	E CAPACITOR 100μF,6.3V
R1433		NRSA02J-510X	MG RESISTOR 51Ω,1/10W	C1447		NCF21EZ-104X	CAPACITOR 0.1μF,25V
R1434		NRSA02J-153X	MG RESISTOR 15kΩ,1/10W	C1448		QEKJ0JM-337	E CAPACITOR 330μF,6.3V
R1435		NRSA02J-223X	MG RESISTOR 22kΩ,1/10W	C1449		NCF21EZ-104X	CAPACITOR 0.1μF,25V
R1436		NRSA02J-682X	MG RESISTOR 6.8kΩ,1/10W	C1450		NCF21EZ-104X	CAPACITOR 0.1μF,25V
R1437		NRSA02J-392X	MG RESISTOR 3.9kΩ,1/10W	C1451		QEKJ1EM-475	E CAPACITOR 4.7μF,25V
R1438		NRSA02J-473X	MG RESISTOR 47kΩ,1/10W	C1452		NCF21EZ-104X	CAPACITOR 0.1μF,25V
R1439		NRSA02J-273X	MG RESISTOR 27kΩ,1/10W	C1453		NCF21EZ-104X	CAPACITOR 0.1μF,25V
R1440		NRSA02J-473X	MG RESISTOR 47kΩ,1/10W	C1454		NCF21EZ-104X	CAPACITOR 0.1μF,25V
R1441		NRSA02J-682X	MG RESISTOR 6.8kΩ,1/10W	C1455		NCF21EZ-104X	CAPACITOR 0.1μF,25V
R1442		NRSA02J-682X	MG RESISTOR 6.8kΩ,1/10W	C1459		NDC21HJ-470X	CAPACITOR 47pF,50V
R1446		NRSA02J-102X	MG RESISTOR 1kΩ,1/10W	C1460		NDC21HJ-470X	CAPACITOR 47pF,50V
R1447		NRSA02J-102X	MG RESISTOR 1kΩ,1/10W	C1461		NDC21HJ-470X	CAPACITOR 47pF,50V
R1448		NRSA02J-102X	MG RESISTOR 1kΩ,1/10W	C1462		NDC21HJ-470X	CAPACITOR 47pF,50V
R1449		NRSA02J-102X	MG RESISTOR 1kΩ,1/10W	C1463		QEKJ0JM-336	E CAPACITOR 33μF,6.3V
R1450		NRSA02J-102X	MG RESISTOR 1kΩ,1/10W	C1465		NDC21HJ-470X	CAPACITOR 47pF,50V
R1452		NRSA02J-471X	MG RESISTOR 470Ω,1/10W	C1466		NDC21HJ-470X	CAPACITOR 47pF,50V
R1453		NRSA02J-102X	MG RESISTOR 1kΩ,1/10W	C1467		NDC21HJ-470X	CAPACITOR 47pF,50V
R1454		NRSA02J-102X	MG RESISTOR 1kΩ,1/10W	C1468		NDC21HJ-101X	CAPACITOR 100pF,50V
R1455		NRSA02J-681X	MG RESISTOR 680Ω,1/10W	C1470		NDC21HJ-330X	CAPACITOR 33pF,50V
R1458		NRSA02J-681X	MG RESISTOR 680Ω,1/10W	C1471		NCF21EZ-104X	CAPACITOR 0.1μF,25V
R1459		NRSA02J-681X	MG RESISTOR 680Ω,1/10W	C1472		NCF21EZ-104X	CAPACITOR 0.1μF,25V
R1460		NRSA02J-273X	MG RESISTOR 27kΩ,1/10W	C1473		NCF21EZ-104X	CAPACITOR 0.1μF,25V
R1461		NRSA02J-121X	MG RESISTOR 120Ω,1/10W	L1401		QQL29BJ-100Z	COIL 10μH
R1463		NRSA02J-101X	MG RESISTOR 100Ω,1/10W	L1402		QQL071J-6R8Y	COIL 6.8μH
VR1401		QVZ3521-103Z	V RESISTOR,D/A LEVEL ADJ	L1403		QQL071J-6R8Y	COIL 6.8μH
C1401		QEKJ1CM-336	E CAPACITOR 33μF,16V	L1404		QQL071J-6R8Y	COIL 6.8μH
C1402		NCB21HK-103X	CAPACITOR 0.01μF,50V	L1405		QQL29BJ-101Z	COIL 100μH
C1403		QEKJ0JM-337	E CAPACITOR 330μF,6.3V	L1406		QQL071J-330Y	COIL 33μH
C1404		NCF21EZ-104X	CAPACITOR 0.1μF,25V	L1407		QQL29BJ-101Z	COIL 100μH
C1405		NCF21EZ-104X	CAPACITOR 0.1μF,25V	L1409		QQL071J-1R0Y	COIL 1.0μH
C1406		NCB21HK-103X	CAPACITOR 0.01μF,50V	LC1401		QQR0657-013Z	NOISE FILTER
C1407		NDC21HJ-680X	CAPACITOR 68pF,50V	LC1402		QQR0657-010Z	NOISE FILTER
C1408		NDC21HJ-330X	CAPACITOR 33pF,50V	SD1		LP30706-001C	SHIELD FRAME(S-VHS)
C1410		QEKJ1EM-475	E CAPACITOR 4.7μF,25V	SD2		LP30684-001A	SHIELD CASE(S-VHS)
C1411		NCF21EZ-104X	CAPACITOR 0.1μF,25V	CN1401		QGG2502K1-17	HEADER PIN,(1-7)MAIN

#	△	REF No.	PART No.	PART NAME, DESCRIPTION	#	△	REF No.	PART No.	PART NAME, DESCRIPTION

TERMINAL BOARD ASSEMBLY <06>									
PW1			LPA10114-02A	TERMINAL BOARD ASSY				or 2PC4081/R/-X	TRANSISTOR
IC7101			MM1224XF	IC	Q7121			2SA1576A/QR/-X	TRANSISTOR
IC7102			MM1228XF	IC				or 2PA1576/R/-X	TRANSISTOR
IC7103			MM1024AF	IC				or 2SB1218A/QR/-X	TRANSISTOR
IC7104			BH7636S	IC	Q7122			2SC4081/QRS/-X	TRANSISTOR
Q7102			2SC4081/QRS/-X	TRANSISTOR				or 2SD1819A/QRS/-X	TRANSISTOR
			or 2SD1819A/QRS/-X	TRANSISTOR				or 2PC4081/R/-X	TRANSISTOR
			or 2PC4081/R/-X	TRANSISTOR	Q7123			2SA1576A/QR/-X	TRANSISTOR
Q7103			2SA1576A/QR/-X	TRANSISTOR				or 2PA1576/R/-X	TRANSISTOR
			or 2PA1576/R/-X	TRANSISTOR				or 2SB1218A/QR/-X	TRANSISTOR
			or 2SB1218A/QR/-X	TRANSISTOR	Q7124			2SA1576A/QR/-X	TRANSISTOR
Q7104			2SA1576A/QR/-X	TRANSISTOR				or 2SB1218A/QR/-X	TRANSISTOR
			or 2SB1218A/QR/-X	TRANSISTOR				or 2PA1576/R/-X	TRANSISTOR
			or 2PA1576/R/-X	TRANSISTOR	D7101			DA204U	DIODE
Q7105			DTC144WU	TRANSISTOR	R7102			NRSA02J-102X	MG RESISTOR
			or PDC144WU	TRANSISTOR				NRVA02D-561X	CMF RESISTOR
			or RN1309	TRANSISTOR	R7104			NRVA02D-471X	CMF RESISTOR
			or UN521E	TRANSISTOR	R7105			NRVA02D-471X	CMF RESISTOR
Q7106			DTC144WU	TRANSISTOR	R7107			NRSA02J-103X	MG RESISTOR
			or PDC144WU	TRANSISTOR	R7108			NRSA02J-821X	MG RESISTOR
			or RN1309	TRANSISTOR	R7109			NRSA02J-102X	MG RESISTOR
			or UN521E	TRANSISTOR	R7110			NRSA02J-392X	MG RESISTOR
Q7107			2SC3938/QR/-X	TRANSISTOR	R7111			NRSA02J-392X	MG RESISTOR
Q7108			2SC3938/QR/-X	TRANSISTOR	R7111			NRSA02J-472X	MG RESISTOR
Q7109			2SC3938/QR/-X	TRANSISTOR	R7112			NRSA02J-152X	MG RESISTOR
Q7110			2SC3938/QR/-X	TRANSISTOR	R7113			NRSA02J-271X	MG RESISTOR
Q7111			DTC144WU	TRANSISTOR	R7113			NRSA02J-271X	MG RESISTOR
			or PDC144WU	TRANSISTOR	R7114			NRSA02J-152X	MG RESISTOR
			or RN1309	TRANSISTOR	R7115			NRSA02J-392X	MG RESISTOR
			or UN521E	TRANSISTOR	R7116			NRSA02J-562X	MG RESISTOR
Q7112			2SA1576A/QR/-X	TRANSISTOR	R7117			NRSA02J-152X	MG RESISTOR
			or 2PA1576/R/-X	TRANSISTOR	R7118			NRSA02J-222X	MG RESISTOR
			or 2SB1218A/QR/-X	TRANSISTOR	R7119			NRSA02J-471X	MG RESISTOR
Q7113			2SC4081/QRS/-X	TRANSISTOR	R7120			NRSA02J-332X	MG RESISTOR
			or 2SD1819A/QRS/-X	TRANSISTOR	R7121			NRVA02D-561X	CMF RESISTOR
			or 2PC4081/R/-X	TRANSISTOR	R7122			NRVA02D-471X	CMF RESISTOR
Q7114			2SA1576A/QR/-X	TRANSISTOR	R7123			NRSA02J-102X	MG RESISTOR
			or 2PA1576/R/-X	TRANSISTOR	R7124			NRVA02D-750X	CMF RESISTOR
			or 2SB1218A/QR/-X	TRANSISTOR	R7125			NRVA02D-750X	CMF RESISTOR
Q7115			2SC4081/QRS/-X	TRANSISTOR	R7126			NRSA02J-101X	MG RESISTOR
			or 2SD1819A/QRS/-X	TRANSISTOR	R7127			NRVA02D-561X	CMF RESISTOR
			or 2PC4081/R/-X	TRANSISTOR	R7128			NRVA02D-471X	CMF RESISTOR
Q7116			2SA1576A/QR/-X	TRANSISTOR	R7129			NRSA02J-102X	MG RESISTOR
			or 2PA1576/R/-X	TRANSISTOR	R7130			NRSA02J-0R0X	MG RESISTOR
			or 2SB1218A/QR/-X	TRANSISTOR	R7131			NRSA02J-153X	MG RESISTOR
Q7117			DTC114EU	TRANSISTOR	R7132			NRSA02J-103X	MG RESISTOR
			or PDC114EU	TRANSISTOR	R7133			QRE121J-331Y	RESISTOR
			or RN1302	TRANSISTOR	R7134			QRE141J-680Y	RESISTOR
			or UN5211	TRANSISTOR	R7135			NRVA02D-680X	CMF RESISTOR
Q7118			2SC4081/QRS/-X	TRANSISTOR	R7136			NRSA02J-750X	MG RESISTOR
			or 2SD1819A/QRS/-X	TRANSISTOR	R7137			NRSA02J-0R0X	MG RESISTOR
			or 2PC4081/R/-X	TRANSISTOR	R7138			NRSA02J-101X	MG RESISTOR
Q7119			2SC4081/QRS/-X	TRANSISTOR	R7139			NRSA02J-101X	MG RESISTOR
			or 2PC4081/R/-X	TRANSISTOR	R7140			NRSA02J-101X	MG RESISTOR
			or 2SD1819A/QRS/-X	TRANSISTOR	R7141			NRSA02J-101X	MG RESISTOR
Q7120			2SC4081/QRS/-X	TRANSISTOR	R7142			NRSA02J-101X	MG RESISTOR
			or 2SD1819A/QRS/-X	TRANSISTOR	R7143			NRSA02J-101X	MG RESISTOR
					R7144			NRSA02J-101X	MG RESISTOR
					R7145			NRSA02J-101X	MG RESISTOR
					R7146			NRSA02J-101X	MG RESISTOR
					R7147			NRSA02J-101X	MG RESISTOR
					R7148			NRSA02J-101X	MG RESISTOR
					R7149			NRSA02J-682X	MG RESISTOR
					R7150			NRSA02J-102X	MG RESISTOR

#	△ REF No.	PART No.	PART NAME, DESCRIPTION	#	△ REF No.	PART No.	PART NAME, DESCRIPTION
R7151		NRSA02J-471X	MG RESISTOR 470Ω,1/10W	C7147		NCB21EK-104X	CAPACITOR 0.1μF,25V
R7152		NRSA02J-272X	MG RESISTOR 2.7kΩ,1/10W	C7148		NCB21EK-104X	CAPACITOR 0.1μF,25V
R7153		NRSA02J-472X	MG RESISTOR 4.7kΩ,1/10W	C7150		NCB21HK-103X	CAPACITOR 0.01μF,50V
R7154		NRSA02J-0R0X	MG RESISTOR 0Ω,1/10W	C7151		QEKJ1CM-106	E CAPACITOR 10μF,16V
R7155		NRSA02J-332X	MG RESISTOR 3.3kΩ,1/10W	C7152		QEKJ1CM-106	E CAPACITOR 10μF,16V
R7156		NRSA02J-750X	MG RESISTOR 75Ω,1/10W	C7153		QEKJ1CM-106	E CAPACITOR 10μF,16V
R7157		NRSA02J-750X	MG RESISTOR 75Ω,1/10W	C7154		NCB21CK-105X	CAPACITOR 1μF,16V
R7158		NRSA02J-102X	MG RESISTOR 1kΩ,1/10W	C7155		QEKJ0JM-476	E CAPACITOR 47μF,6.3V
R7159		NRSA02J-750X	MG RESISTOR 75Ω,1/10W	C7156		NCB21HK-681X	CAPACITOR 680pF,50V
R7160		NRSA02J-101X	MG RESISTOR 100Ω,1/10W	C7158		NCB21HK-681X	CAPACITOR 680pF,50V
R7161		NRSA02J-101X	MG RESISTOR 100Ω,1/10W	C7159		NCB21HK-102X	CAPACITOR 0.001μF,50V
R7162		NRSA02J-101X	MG RESISTOR 100Ω,1/10W	C7166		NCB21HK-102X	CAPACITOR 0.001μF,50V
R7163		NRSA02J-101X	MG RESISTOR 100Ω,1/10W	C7167		NCB21HK-102X	CAPACITOR 0.001μF,50V
R7164		NRSA02J-101X	MG RESISTOR 100Ω,1/10W	C7168		QEKJ0JM-476	E CAPACITOR 47μF,6.3V
R7165		NRSA02J-101X	MG RESISTOR 100Ω,1/10W	C7169		NCB21HK-103X	CAPACITOR 0.01μF,50V
R7167		NRSA02J-472X	MG RESISTOR 4.7kΩ,1/10W	C7170		NCB21HK-102X	CAPACITOR 0.001μF,50V
R7168		NRSA02J-271X	MG RESISTOR 270Ω,1/10W	L7101		QQL29BJ-4R7Z	COIL 4.7μH
R7169		QRE141J-682Y	RESISTOR 6.8kΩ,1/4W	L7102		QQL29BJ-4R7Z	COIL 4.7μH
R7170		NRSA02J-472X	MG RESISTOR 4.7kΩ,1/10W	L7103		QQL29BJ-4R7Z	COIL 4.7μH
R7171		NRSA02J-333X	MG RESISTOR 33kΩ,1/10W	L7104		QUY153-050Y	IM BUS WIRE
R7172		NRSA02J-103X	MG RESISTOR 10kΩ,1/10W	L7105		QUY153-050Y	IM BUS WIRE
R7173		NRSA02J-3R3X	MG RESISTOR 3.3Ω,1/10W	L7106		QQL071J-4R7Y	COIL 4.7μH
R7174		QRE141J-152Y	RESISTOR 1.5kΩ,1/4W	L7107		QQL071J-4R7Y	COIL 4.7μH
C7101		NCB21HK-103X	CAPACITOR 0.01μF,50V	L7108		QQL071J-4R7Y	COIL 4.7μH
C7102		QEKJ0JM-476	E CAPACITOR 47μF,6.3V	L7109		QQL071J-4R7Y	COIL 4.7μH
C7103		QEKJ1CM-476	E CAPACITOR 47μF,16V	L7110		QUY153-050Y	IM BUS WIRE
C7104		NCB21HK-103X	CAPACITOR 0.01μF,50V	L7113		QQL071J-1R0Y	COIL 1.0μH
C7105		NCB21HK-103X	CAPACITOR 0.01μF,50V	L7115		QQL29BK-1R0Z	COIL 1.0μH
C7106		NCB21EK-104X	CAPACITOR 0.1μF,25V	L7116		QUY153-050Y	IM BUS WIRE
C7107		NCB21HK-103X	CAPACITOR 0.01μF,50V	L7117		QQL071J-4R7Y	COIL 4.7μH
C7108		NCB21HK-103X	CAPACITOR 0.01μF,50V	L7118		QQL071J-4R7Y	COIL 4.7μH
C7109		QEKJ1CM-106	E CAPACITOR 10μF,16V	L7119		QQL071J-4R7Y	COIL 4.7μH
C7110		NDC21HJ-101X	CAPACITOR 100pF,50V	L7120		QQL071J-4R7Y	COIL 4.7μH
C7112		QEKJ1CM-106	E CAPACITOR 10μF,16V	L7121		QQL071J-4R7Y	COIL 4.7μH
C7113		NCB21HK-103X	CAPACITOR 0.01μF,50V	L7122		QQL071J-4R7Y	COIL 4.7μH
C7114		NDC21HJ-101X	CAPACITOR 100pF,50V	L7123		QUY153-050Y	IM BUS WIRE
C7115		QEKJ1HM-105	E CAPACITOR 1μF,50V	ET1		QNZ0431-001Z	EARTH TERMINAL
C7116		QEKJ0JM-337	E CAPACITOR 330μF,6.3V	J7101		QND0009-001	S JACK,S_OUT
C7117		QEKJ0JM-337	E CAPACITOR 330μF,6.3V	J7102		QNZ0418-001	21P CONNECTOR,AV1
C7118		QEKJ0JM-107	E CAPACITOR 100μF,6.3V	J7103		PU60659	MINI JACK,SAT_CTL
C7119		NCB21HK-103X	CAPACITOR 0.01μF,50V	J7104		QNZ0418-001	21P CONNECTOR,AV2
C7120		QEPF1HM-474	NP E CAPACITOR 0.47μF,50V	J7105		QNN0295-002	PIN JACK,A.OUT(L/R)
C7121		NDC21HJ-270X	CAPACITOR 27pF,50V	CN7101		QGB2024J1-15S	CONNECTOR,(1-15)MAIN
C7122		NCB21HK-103X	CAPACITOR 0.01μF,50V	CN7102		QGB2024J1-05S	CONNECTOR,(1-5)MAIN
C7123		NCB21HK-103X	CAPACITOR 0.01μF,50V	CN7103		QGB2024J1-14S	CONNECTOR,(1-14)MAIN
C7124		NCB21HK-103X	CAPACITOR 0.01μF,50V	CN7104		QGB2024J1-11S	CONNECTOR,(1-11)MAIN
C7125		QEKJ1CM-476	E CAPACITOR 47μF,16V	*****			
C7126		NCB21HK-103X	CAPACITOR 0.01μF,50V	A/C HEAD BOARD ASSEMBLY <12>			
C7127		NDC21HJ-330X	CAPACITOR 33pF,50V	PW1	LPA10010-01A1	A/C HEAD BOARD ASSY	
C7129		QEKJ0JM-337	E CAPACITOR 330μF,6.3V	CN1	QGF1208F1-07	FPC CONNECTOR	
C7130		NCB21HK-681X	CAPACITOR 680pF,50V				
C7131		NCB21HK-102X	CAPACITOR 0.001μF,50V				
C7132		NCB21HK-681X	CAPACITOR 680pF,50V				
C7133		NCB21HK-102X	CAPACITOR 0.001μF,50V				
C7138		QEKJ1CM-107	E CAPACITOR 100μF,16V				
C7139		QEKJ1CM-107	E CAPACITOR 100μF,16V				
C7140		NCB21EK-104X	CAPACITOR 0.1μF,25V				
C7142		NCB21EK-104X	CAPACITOR 0.1μF,25V				
C7143		NCB21EK-104X	CAPACITOR 0.1μF,25V				
C7145		NCB21EK-104X	CAPACITOR 0.1μF,25V				
C7146		NDC21HJ-330X	CAPACITOR 33pF,50V				

REF No. PART No. PART NAME, DESCRIPTION

DEMOD BOARD ASSEMBLY <14>

PW1	LPA10094-01D	DEMOD BOARD ASSY	
IC6701	MSP34VCDT	IC	
	or MSP3417DG3	IC	
	or MSP3417D	IC	
Q6701	2SC3936/BC/-X	TRANSISTOR	
D6701	1SS133	DIODE	
	or 1N4148M	DIODE	
R6701	NRSA02J-392X	MG RESISTOR	3.9kΩ,1/10W
R6702	NRSA02J-682X	MG RESISTOR	6.8kΩ,1/10W
R6703	NRSA02J-470X	MG RESISTOR	47Ω,1/10W
R6704	NRSA02J-102X	MG RESISTOR	1kΩ,1/10W
R6705	NRSA02J-271X	MG RESISTOR	270Ω,1/10W
R6706	NRSA02J-151X	MG RESISTOR	150Ω,1/10W
R6707	NRSA02J-220X	MG RESISTOR	22Ω,1/10W
R6708	NRSA02J-101X	MG RESISTOR	100Ω,1/10W
R6709	NRSA02J-101X	MG RESISTOR	100Ω,1/10W
R6710	NRSA02J-100X	MG RESISTOR	10Ω,1/10W
R6711	NRSA02J-684X	MG RESISTOR	680kΩ,1/10W
R6712	NRSA02J-102X	MG RESISTOR	1kΩ,1/10W
R6714	NRSA02J-102X	MG RESISTOR	1kΩ,1/10W
R6716	NRSA02J-470X	MG RESISTOR	47Ω,1/10W
R6719	QRE141J-103Y	RESISTOR	10kΩ,1/4W
R6720	NRSA02J-562X	MG RESISTOR	5.6kΩ,1/10W
R6721	NRSA02J-562X	MG RESISTOR	5.6kΩ,1/10W
C6701	NCB21HK-103X	CAPACITOR	0.01μF,50V
C6702	NCB21HK-222X	CAPACITOR	0.0022μF,50V
C6704	NCB21HK-103X	CAPACITOR	0.01μF,50V
C6705	NCB21HK-102X	CAPACITOR	0.001μF,50V
C6707	NDC21HJ-470X	CAPACITOR	47pF,50V
C6708	NDC21HJ-8R0X	CAPACITOR	8pF,50V
C6709	NDC21HJ-1R0X	CAPACITOR	1pF,50V
C6713	NCF21CZ-224X	CAPACITOR	0.22μF,16V
C6714	NCB21HK-682X	CAPACITOR	0.0068μF,50V
C6715	QEKJ1HM-225	E CAPACITOR	2.2μF,50V
C6716	NCB21HK-682X	CAPACITOR	0.0068μF,50V
C6717	QEKJ1HM-225	E CAPACITOR	2.2μF,50V
C6719	QEKJ1CM-106	E CAPACITOR	10μF,16V
C6720	QEKJ1CM-106	E CAPACITOR	10μF,16V
C6721	NCB21HK-103X	CAPACITOR	0.01μF,50V
C6723	NCB21HK-103X	CAPACITOR	0.01μF,50V
C6724	QEKJ1HM-225	E CAPACITOR	2.2μF,50V
L6701	QQL231J-1R0Y	COIL	1.0μH
L6702	QQL231J-3R3Y	COIL	3.3μH
X6701	QAX0443-001	CRYSTAL RESONATOR	
K6701	NQR0200-003X	FERRITE BEAD	
K6702	NQR0200-003X	FERRITE BEAD	
K6703	NQR0200-003X	FERRITE BEAD	
K6704	NQR0200-003X	FERRITE BEAD	
K6705	NQR0200-003X	FERRITE BEAD	
K6706	NQR0200-003X	FERRITE BEAD	
K6707	NQR0200-003X	FERRITE BEAD	
BK1	LP40077-001A	BRACKET(BOARD)	
CN6701	QGG2502K1-10	HEADER PIN	

REF No. PART No. PART NAME, DESCRIPTION

S-SUB BOARD ASSEMBLY <15>

PW1	LPA10103-02A	S-SUB BOARD ASSY	
IC501	JCP8018	IC	
	or JCP8028	IC	
	or JCP8038	IC	
	or JCP8028-01	IC	
IC502	VC2076DP	IC	
R503	NRSA02J-221X	MG RESISTOR	220Ω,1/10W
R504	NRSA02J-332X	MG RESISTOR	3.3kΩ,1/10W
R505	NRSA02J-392X	MG RESISTOR	3.9kΩ,1/10W
R506	NRSA02J-391X	MG RESISTOR	390Ω,1/10W
R507	NRSA02J-122X	MG RESISTOR	1.2kΩ,1/10W
R508	NRSA02J-151X	MG RESISTOR	150Ω,1/10W
R509	NRSA02J-162X	MG RESISTOR	1.6kΩ,1/10W
R510	NRVA02D-102X	CMF RESISTOR	1kΩ,1/10W
R511	NRVA02D-471X	CMF RESISTOR	470Ω,1/10W
R512	NRVA02D-102X	CMF RESISTOR	1kΩ,1/10W
R513	NRVA02D-152X	CMF RESISTOR	1.5kΩ,1/10W
R514	NRVA02D-332X	CMF RESISTOR	3.3kΩ,1/10W
R515	NRVA02D-332X	CMF RESISTOR	3.3kΩ,1/10W
R516	NRSA02J-0R0X	MG RESISTOR	0Ω,1/10W
R517	NRSA02J-0R0X	MG RESISTOR	0Ω,1/10W
R525	NRSA02J-125X	MG RESISTOR	1.2MΩ,1/10W
R531	NRSA02J-101X	MG RESISTOR	100Ω,1/10W
R532	NRSA02J-101X	MG RESISTOR	100Ω,1/10W
R533	NRSA02J-101X	MG RESISTOR	100Ω,1/10W
R534	NRSA02J-101X	MG RESISTOR	100Ω,1/10W
R535	NRSA02J-101X	MG RESISTOR	100Ω,1/10W
R536	NRSA02J-101X	MG RESISTOR	100Ω,1/10W
B501	NRSA02J-0R0X	MG RESISTOR	0Ω,1/10W
B503	NRSA02J-0R0X	MG RESISTOR	0Ω,1/10W
C501	QEKJ1HM-225	E CAPACITOR	2.2μF,50V
C502	QEKJ1EM-475	E CAPACITOR	4.7μF,25V
C503	QEKJ1HM-225	E CAPACITOR	2.2μF,50V
C504	NCB21EK-104X	CAPACITOR	0.1μF,25V
C505	QEKJ1EM-475	E CAPACITOR	4.7μF,25V
C506	NCB21EK-104X	CAPACITOR	0.1μF,25V
C507	QEKJ0JM-227	E CAPACITOR	220μF,6.3V
C508	QEPF1HM-474	NP E CAPACITOR	0.47μF,50V
C509	QEKJ1CM-106	E CAPACITOR	10μF,16V
C510	QEKJ0JM-227	E CAPACITOR	220μF,6.3V
C511	NCB21HK-103X	CAPACITOR	0.01μF,50V
C512	NCB21HK-103X	CAPACITOR	0.01μF,50V
C513	QEKJ1EM-475	E CAPACITOR	4.7μF,25V
C514	NCB21HK-103X	CAPACITOR	0.01μF,50V
C515	NCB21HK-103X	CAPACITOR	0.01μF,50V
C516	NCB21HK-103X	CAPACITOR	0.01μF,50V
C517	NCF21EZ-104X	CAPACITOR	0.1μF,25V
C518	NCB21EK-104X	CAPACITOR	0.1μF,25V
C519	QEKJ1HM-225	E CAPACITOR	2.2μF,50V
C520	QERF1EM-475	E CAPACITOR	4.7μF,25V
C521	QEKJ1EM-475	E CAPACITOR	4.7μF,25V
C522	QEKJ1HM-225	E CAPACITOR	2.2μF,50V
C523	QEKJ1HM-225	E CAPACITOR	2.2μF,50V
C524	NDC21HG-301X	CAPACITOR	300pF,50V
C525	NDC21HG-301X	CAPACITOR	300pF,50V
C526	NDC21HJ-101X	CAPACITOR	100pF,50V
C527	NDC21HJ-181X	CAPACITOR	180pF,50V

#	△ REF No.	PART No.	PART NAME, DESCRIPTION
C528		NDC21HG-271X	CAPACITOR 270pF,50V
C529		NDC21HG-820X	CAPACITOR 82pF,50V
C530		NDC21HG-221X	CAPACITOR 220pF,50V
C531		NDC21HG-301X	CAPACITOR 300pF,50V
C532		NDC21HG-301X	CAPACITOR 300pF,50V
C533		NCB21HK-103X	CAPACITOR 0.01μF,50V
C534		QETJ0JM-477	E CAPACITOR 470μF,6.3V
C535		NCB21HK-103X	CAPACITOR 0.01μF,50V
C551		QEKJ1HM-105	E CAPACITOR 1μF,50V
C553		NCB21HK-103X	CAPACITOR 0.01μF,50V
C554		QEKJ1HM-105	E CAPACITOR 1μF,50V
C556		NCB21HK-103X	CAPACITOR 0.01μF,50V
C557		QEKJ1HM-105	E CAPACITOR 1μF,50V
C559		NCB21HK-103X	CAPACITOR 0.01μF,50V
C560		QEKJ1HM-105	E CAPACITOR 1μF,50V
C561		QEKJ1HM-105	E CAPACITOR 1μF,50V
C562		QEKJ1HM-105	E CAPACITOR 1μF,50V
C564		NCB21HK-103X	CAPACITOR 0.01μF,50V
C566		NCB21HK-103X	CAPACITOR 0.01μF,50V
C568		NDC21HJ-680X	CAPACITOR 68pF,50V
C569		NDC21HJ-680X	CAPACITOR 68pF,50V
C570		NDC21HJ-680X	CAPACITOR 68pF,50V
C571		NDC21HJ-680X	CAPACITOR 68pF,50V
C572		NDC21HJ-680X	CAPACITOR 68pF,50V
C573		NDC21HJ-680X	CAPACITOR 68pF,50V
L501		QQL29BJ-100Z	COIL 10μH
L503		QQL29BJ-100Z	COIL 10μH
L504		QQL29BJ-100Z	COIL 10μH
BK1		LP40077-001A	BRACKET(BOARD)
CN511		QGG2503K2-30	HEADER PIN,(1-30)MAIN
CN512		QGF1209F2-14	FFC/FPC CONNE,(1-14)MAIN
CN513		QGF1208F1-09	FPC CONNECTOR,(1-9)

DV PRE/REC MDA BOARD ASSEMBLY <16>

PW2	LPA10117-01C2	DV PRE/REC MDA BOARD ASSY
IC5001	JCY0132	IC
IC5002	TC7SH00FU	IC(DIGITAL)
IC5501	BA6865KV	IC
IC5502	BA6417F	IC
Q5501	DTA114EU	TRANSISTOR
Q5502	2SB1302/ST/-X	TRANSISTOR
Q5503	2SB1302/ST/-X	TRANSISTOR
Q5504	2SB1302/ST/-X	TRANSISTOR
Q5505	2SC4097/QR/-X	TRANSISTOR
D5502	DAP222	DIODE
D5503	DAP222	DIODE
D5504	DAP222	DIODE
R5003	NRSA63J-0R0X	MG RESISTOR 0Ω,1/16W
R5004	NRSA63J-471X	MG RESISTOR 470Ω,1/16W
R5007	NRSA63J-104X	MG RESISTOR 100kΩ,1/16W
R5014	NRSA63J-102X	MG RESISTOR 1kΩ,1/16W
R5018	NRSA63J-241X	MG RESISTOR 240Ω,1/16W
R5019	NRSA63J-0R0X	MG RESISTOR 0Ω,1/16W
R5020	NRSA63J-0R0X	MG RESISTOR 0Ω,1/16W

#	△ REF No.	PART No.	PART NAME, DESCRIPTION
R5021		NRSA63J-241X	MG RESISTOR 240Ω,1/16W
R5023		NRSA63J-241X	MG RESISTOR 240Ω,1/16W
R5026		NRSA63J-241X	MG RESISTOR 240Ω,1/16W
R5035		NRSA63J-223X	MG RESISTOR 22kΩ,1/16W
R5057		NRSA63J-223X	MG RESISTOR 22kΩ,1/16W
R5058		NRSA63J-222X	MG RESISTOR 2.2kΩ,1/16W
R5101		NRSA63J-0R0X	MG RESISTOR 0Ω,1/16W
R5102		NRSA63J-0R0X	MG RESISTOR 0Ω,1/16W
R5111		NRSA63J-0R0X	MG RESISTOR 0Ω,1/16W
R5112		NRSA63J-0R0X	MG RESISTOR 0Ω,1/16W
R5114		NRSA63J-0R0X	MG RESISTOR 0Ω,1/16W
R5115		NRSA63J-0R0X	MG RESISTOR 0Ω,1/16W
R5117		NRSA63J-0R0X	MG RESISTOR 0Ω,1/16W
R5118		NRSA63J-0R0X	MG RESISTOR 0Ω,1/16W
R5119		NRSA63J-0R0X	MG RESISTOR 0Ω,1/16W
R5121		NRSA63J-0R0X	MG RESISTOR 0Ω,1/16W
R5501		NRSA63J-681X	MG RESISTOR 680Ω,1/16W
R5502		NRSA63J-124X	MG RESISTOR 120kΩ,1/16W
R5503		NRSA63J-472X	MG RESISTOR 4.7kΩ,1/16W
R5504		NRSA63J-104X	MG RESISTOR 100kΩ,1/16W
R5505		NRSA63J-223X	MG RESISTOR 22kΩ,1/16W
R5506		NRV142F-R22X	CMF RESISTOR 0.22Ω,1/4W
R5509		NRS12BK-R68W	MG RESISTOR 0.68Ω,1/2W
R5510		NRSA63J-102X	MG RESISTOR 1kΩ,1/16W
R5511		NRSA63J-102X	MG RESISTOR 1kΩ,1/16W
R5512		NRSA63J-274X	MG RESISTOR 270kΩ,1/16W
R5513		NRSA63J-272X	MG RESISTOR 2.7kΩ,1/16W
R5514		NRSA63J-154X	MG RESISTOR 150kΩ,1/16W
R5515		NRSA63J-474X	MG RESISTOR 470kΩ,1/16W
R5516		NRSA63J-202X	MG RESISTOR 2kΩ,1/16W
R5517		NRSA63J-473X	MG RESISTOR 47kΩ,1/16W
R5518		NRSA63J-203X	MG RESISTOR 20kΩ,1/16W
R5519		NRSA63J-393X	MG RESISTOR 39kΩ,1/16W
R5520		NRSA63J-103X	MG RESISTOR 10kΩ,1/16W
R5522		NRSA63J-103X	MG RESISTOR 10kΩ,1/16W
R5523		NRSA63J-103X	MG RESISTOR 10kΩ,1/16W
R5525		NRSA63J-511X	MG RESISTOR 510Ω,1/16W
R5526		NRSA63J-511X	MG RESISTOR 510Ω,1/16W
R5527		NRSA63J-511X	MG RESISTOR 510Ω,1/16W
R5528		NRSA63J-511X	MG RESISTOR 510Ω,1/16W
R5529		NRSA63J-105X	MG RESISTOR 1MΩ,1/16W
R5530		NRSA63J-0R0X	MG RESISTOR 0Ω,1/16W
R5531		NRSA63J-0R0X	MG RESISTOR 0Ω,1/16W
R5533		NRSA63J-0R0X	MG RESISTOR 0Ω,1/16W
R5534		NRSA63J-0R0X	MG RESISTOR 0Ω,1/16W
R5536		NRSA63J-823X	MG RESISTOR 82kΩ,1/16W
R5537		NRSA63J-103X	MG RESISTOR 10kΩ,1/16W
R5543		NRSA63J-333X	MG RESISTOR 33kΩ,1/16W
R5544		NRSA63J-333X	MG RESISTOR 33kΩ,1/16W
R5545		NRSA63J-333X	MG RESISTOR 33kΩ,1/16W
R5546		NRSA63J-393X	MG RESISTOR 39kΩ,1/16W
R5547		NRSA02J-1R8X	MG RESISTOR 1.8Ω,1/10W
R5548		NRSA63J-333X	MG RESISTOR 33kΩ,1/16W
R5549		NRSA63J-102X	MG RESISTOR 1kΩ,1/16W
R5550		NRSA63J-103X	MG RESISTOR 10kΩ,1/16W
R5551		NRSA63J-0R0X	MG RESISTOR 0Ω,1/16W
R5552		NRSA63J-0R0X	MG RESISTOR 0Ω,1/16W
R5553		NRSA63J-0R0X	MG RESISTOR 0Ω,1/16W
R5554		NRSA63J-0R0X	MG RESISTOR 0Ω,1/16W
R5555		NRSA63J-0R0X	MG RESISTOR 0Ω,1/16W
R5556		NRSA63J-0R0X	MG RESISTOR 0Ω,1/16W

#	△	REF No.	PART No.	PART NAME, DESCRIPTION	#	△	REF No.	PART No.	PART NAME, DESCRIPTION	
R5557			NRSA63J-0R0X	MG RESISTOR	C5523			NCB31CK-104X	CAPACITOR	0.1μF,16V
R5558			NRSA63J-0R0X	MG RESISTOR	C5525			NCB31CK-104X	CAPACITOR	0.1μF,16V
R5559			NRSA63J-0R0X	MG RESISTOR	C5526			NCB31EK-223X	CAPACITOR	0.022μF,25V
R5560			NRSA63J-0R0X	MG RESISTOR	C5527			NCB31CK-473X	CAPACITOR	0.047μF,16V
R5561			NRSA63J-0R0X	MG RESISTOR	C5528			NCB31CK-104X	CAPACITOR	0.1μF,16V
C5002			NCB31CK-104X	CAPACITOR	C5531			NCB31CK-104X	CAPACITOR	0.1μF,16V
C5003			NCB31CK-104X	CAPACITOR	C5532			NEA70JM-226X	E CAPACITOR	22μF,6.3V
C5004			NCB31CK-223X	CAPACITOR	C5535			NEA71CM-106X	E CAPACITOR	10μF,16V
C5005			NCB31CK-473X	CAPACITOR	C5536			NEA71CM-106X	E CAPACITOR	10μF,16V
C5006			NCB31CK-104X	CAPACITOR	C5537			NEA70JM-226X	E CAPACITOR	22μF,6.3V
C5007			NCB31CK-104X	CAPACITOR	C5539			NCB31EK-103X	CAPACITOR	0.01μF,25V
C5008			NCB31CK-104X	CAPACITOR	C5540			NCB31EK-103X	CAPACITOR	0.01μF,25V
C5009			NEA70JM-226X	E CAPACITOR	C5541			NCB31CK-104X	CAPACITOR	0.1μF,16V
C5010			NCB31CK-104X	CAPACITOR	C5544			NCB31CK-104X	CAPACITOR	0.1μF,16V
C5011			NCB31CK-104X	CAPACITOR	C5546			NCB31CK-104X	CAPACITOR	0.1μF,16V
C5012			NEA70JM-226X	E CAPACITOR	C5547			NCB31CK-104X	CAPACITOR	0.1μF,16V
C5034			NCB31CK-104X	CAPACITOR	C5548			NCF21CZ-224X	CAPACITOR	0.22μF,16V
C5035			NCB31CK-104X	CAPACITOR	C5549			NCF21CZ-224X	CAPACITOR	0.22μF,16V
C5036			NCB31CK-104X	CAPACITOR	C5550			NCF21CZ-224X	CAPACITOR	0.22μF,16V
C5037			NEA70JM-226X	E CAPACITOR	C5551			NCB31EK-103X	CAPACITOR	0.01μF,25V
C5039			NCB31CK-104X	CAPACITOR	C5552			NEA71CM-106X	E CAPACITOR	10μF,16V
C5045			NCB31CK-473X	CAPACITOR	L5001			NQL144K-100X	COIL	10μH
C5046			NCB31CK-473X	CAPACITOR	L5002			NQL144K-100X	COIL	10μH
C5047			NCB31CK-473X	CAPACITOR	L5003			NQL144K-100X	COIL	10μH
C5048			NEA70JM-226X	E CAPACITOR	L5004			NQL144K-100X	COIL	10μH
C5049			NCB31CK-104X	CAPACITOR	L5005			NQL144K-100X	COIL	10μH
C5050			NCB31CK-104X	CAPACITOR	L5501			NRSA02J-0R0X	MG RESISTOR	0Ω,1/10W
C5051			NCB31CK-104X	CAPACITOR	LC5501			PELN1148-223X	NOISE FILTER	
C5052			NDC31HJ-102X	CAPACITOR	LC5502			PELN1148-223X	NOISE FILTER	
C5053			NCB31CK-104X	CAPACITOR	LC5503			PELN1148-223X	NOISE FILTER	
C5055			NCB31CK-104X	CAPACITOR	LC5505			PELN1148-223X	NOISE FILTER	
C5056			NCB31CK-104X	CAPACITOR	SD1			LP30467-001A	SHIELD COVER	
C5058			NCB20JM-475X	CAPACITOR	QA5501			BA6254FS	TR ARRAY	
C5060			NCB31CK-104X	CAPACITOR	CN5001			QGF0501F1-10X	FPC CONNECTOR,(1-10)DV VIDEO	
C5062			NCB31CK-104X	CAPACITOR	CN5002			QGF0503F2-26X	FFC/FPC CONNECTOR,(1-26)DV MAIN	
C5063			NCB20JM-475X	CAPACITOR	CN5501			QGA2001F2-05V	CONNECTOR,(1-5)REG	
C5064			NCB31CK-104X	CAPACITOR	CN5502			QGA1201C2-02X	CONNECTOR,(1-2)LOADING MOTOR	
C5065			NCB31CK-104X	CAPACITOR	CN5503			QGF0504C1-11X	FPC CONNECTOR,(1-11)DV DRUM MOTOR	
C5066			NEA70JM-226X	E CAPACITOR	CN5504			QGF0501F1-18X	FPC CONNECTOR,(1-18)DV CAPSTAN MOTOR	
C5101			QCB1HJ-151	CAPACITOR	CN5505			QGA1201C2-04X	CONNECTOR,(1-4)DV ENCODER	
C5501			NCB31EK-103X	CAPACITOR	CN5506			QGF0503F2-20X	FFC/FPC CONNECTOR,(1-20)DV MAIN	
C5502			NEA71CM-106X	E CAPACITOR	CN5507			QGA1201C2-04X	CONNECTOR,(1-4)DV HOUSING MOTOR	
C5503			NBE21AM-106X	T CAPACITOR						
C5505			NCB31CK-104X	CAPACITOR						
C5506			NCB31HK-152X	CAPACITOR						
C5507			NCB31EK-103X	CAPACITOR						
C5508			NCB31EK-103X	CAPACITOR						
C5509			NCB31EK-103X	CAPACITOR						
C5510			NCB31EK-103X	CAPACITOR						
C5511			NCB31EK-103X	CAPACITOR						
C5512			NCB31EK-103X	CAPACITOR						
C5513			NCB31EK-103X	CAPACITOR						
C5514			NEA71CM-106X	E CAPACITOR						
C5515			NCB31CK-104X	CAPACITOR						
C5516			NCB31CK-104X	CAPACITOR						
C5517			NCB31CK-104X	CAPACITOR						
C5518			NCB31EK-223X	CAPACITOR						
C5519			NCB31EK-223X	CAPACITOR						
C5520			NCB31EK-223X	CAPACITOR						
C5521			NCF21CZ-105X	CAPACITOR						
C5522			NCB31CK-104X	CAPACITOR						

ON SCREEN BOARD ASSEMBLY <17>

PW1	LPA10127-01B	ON SCREEN BOARD ASSY
IC851	LC74775-9750	IC
IC852	MM1115XF	IC
Q853	2SA1576A/QR/-X	TRANSISTOR
	or 2SB1218A/QR/-X	TRANSISTOR
	or 2PA1576/R/-X	TRANSISTOR
Q854	2SC4081/QRS/-X	TRANSISTOR
	or 2PC4081/R/-X	TRANSISTOR
	or 2SD1819A/QRS/-X	TRANSISTOR
Q855	2SC4081/QRS/-X	TRANSISTOR
	or 2SD1819A/QRS/-X	TRANSISTOR

#	△ REF No.	PART No.	PART NAME, DESCRIPTION	
		or 2PC4081/R/-X	TRANSISTOR	
Q857		2SA1576A/QR/-X	TRANSISTOR	
		or 2SB1218A/QR/-X	TRANSISTOR	
		or 2PA1576/R/-X	TRANSISTOR	
Q858		2SC4081/QRS/-X	TRANSISTOR	
		or 2PC4081/R/-X	TRANSISTOR	
		or 2SD1819A/QRS/-X	TRANSISTOR	
Q859		2SA1576A/QR/-X	TRANSISTOR	
		or 2SB1218A/QR/-X	TRANSISTOR	
		or 2PA1576/R/-X	TRANSISTOR	
Q860		DTC114EU	TRANSISTOR	
		or PDT114EU	TRANSISTOR	
		or RN1302	TRANSISTOR	
		or UN5211	TRANSISTOR	
D851		QUY153-050Y	IM BUS WIRE	
D852		QRE141J-152Y	RESISTOR	1.5kΩ, 1/4W
D853		QRE141J-101Y	RESISTOR	100Ω, 1/4W
D854		QRE141J-101Y	RESISTOR	100Ω, 1/4W
D855		DA204U	DIODE	
R853		NRSA02J-103X	MG RESISTOR	10kΩ, 1/10W
R857		NRSA02J-0R0X	MG RESISTOR	0Ω, 1/10W
R860		NRSA02J-0R0X	MG RESISTOR	0Ω, 1/10W
R861		NRSA02J-102X	MG RESISTOR	1kΩ, 1/10W
R862		NRSA02J-102X	MG RESISTOR	1kΩ, 1/10W
R863		NRSA02J-102X	MG RESISTOR	1kΩ, 1/10W
R864		NRSA02J-182X	MG RESISTOR	1.8kΩ, 1/10W
R865		NRSA02J-681X	MG RESISTOR	680Ω, 1/10W
R866		NRSA02J-681X	MG RESISTOR	680Ω, 1/10W
R867		NRSA02J-182X	MG RESISTOR	1.8kΩ, 1/10W
R870		NRSA02J-103X	MG RESISTOR	10kΩ, 1/10W
R872		NRSA02J-103X	MG RESISTOR	10kΩ, 1/10W
R873		NRSA02J-0R0X	MG RESISTOR	0Ω, 1/10W
R874		NRSA02J-0R0X	MG RESISTOR	0Ω, 1/10W
R876		NRSA02J-512X	MG RESISTOR	5.1kΩ, 1/10W
R877		NRSA02J-182X	MG RESISTOR	1.8kΩ, 1/10W
R878		NRSA02J-562X	MG RESISTOR	5.6kΩ, 1/10W
R879		NRSA02J-332X	MG RESISTOR	3.3kΩ, 1/10W
R880		NRSA02J-0R0X	MG RESISTOR	0Ω, 1/10W
R881		NRSA02J-471X	MG RESISTOR	470Ω, 1/10W
R882		NRSA02J-184X	MG RESISTOR	180kΩ, 1/10W
R883		NRSA02J-822X	MG RESISTOR	8.2kΩ, 1/10W
R884		NRSA02J-272X	MG RESISTOR	2.7kΩ, 1/10W
R885		NRSA02J-153X	MG RESISTOR	15kΩ, 1/10W
R886		NRSA02J-681X	MG RESISTOR	680Ω, 1/10W
R887		NRSA02J-103X	MG RESISTOR	10kΩ, 1/10W
R888		NRSA02J-472X	MG RESISTOR	4.7kΩ, 1/10W
R889		NRSA02J-472X	MG RESISTOR	4.7kΩ, 1/10W
R891		NRSA02J-0R0X	MG RESISTOR	0Ω, 1/10W
B851		NRSA02J-0R0X	MG RESISTOR	0Ω, 1/10W
B853		NRSA02J-0R0X	MG RESISTOR	0Ω, 1/10W
B855		NRSA02J-0R0X	MG RESISTOR	0Ω, 1/10W
B860		NRSA02J-0R0X	MG RESISTOR	0Ω, 1/10W
B861		NRSA02J-0R0X	MG RESISTOR	0Ω, 1/10W
B862		NRSA02J-0R0X	MG RESISTOR	0Ω, 1/10W
C851		QEKJ0JM-337	E CAPACITOR	330μF, 6.3V
C852		NCB21EK-224X	CAPACITOR	0.22μF, 25V
C853		NCB21CK-105X	CAPACITOR	1μF, 16V
C856		NCB21CK-105X	CAPACITOR	1μF, 16V
C857		NDC21HJ-560X	CAPACITOR	56pF, 50V
C858		NCB21CK-474X	CAPACITOR	0.47μF, 16V
C860		NCB21HK-103X	CAPACITOR	0.01μF, 50V

#	△ REF No.	PART No.	PART NAME, DESCRIPTION	
C861		NDC21HJ-150X	CAPACITOR	15pF, 50V
C862		NDC21HJ-470X	CAPACITOR	47pF, 50V
C863		NDC21HJ-101X	CAPACITOR	100pF, 50V
C865		NDC21HJ-100X	CAPACITOR	10pF, 50V
C867		NDC21HJ-330X	CAPACITOR	33pF, 50V
C868		NDC21HJ-330X	CAPACITOR	33pF, 50V
C870		NDC21HJ-101X	CAPACITOR	100pF, 50V
C871		NDC21HJ-101X	CAPACITOR	100pF, 50V
C872		NCB21EK-104X	CAPACITOR	0.1μF, 25V
C873		QEKJ1EM-475	E CAPACITOR	4.7μF, 25V
C874		NCB21EK-224X	CAPACITOR	0.22μF, 25V
C875		NCB21EK-224X	CAPACITOR	0.22μF, 25V
C876		QEKJ0JM-227	E CAPACITOR	220μF, 6.3V
C877		QEKJ1CM-476	E CAPACITOR	47μF, 16V
C878		NCB21HK-103X	CAPACITOR	0.01μF, 50V
C879		NCB21EK-104X	CAPACITOR	0.1μF, 25V
C881		NCB21HK-471X	CAPACITOR	470pF, 50V
C882		NCB21HK-223X	CAPACITOR	0.022μF, 50V
C883		QEKJ1HM-225	E CAPACITOR	2.2μF, 50V
C884		NCB21EK-104X	CAPACITOR	0.1μF, 25V
C885		NCB21EK-104X	CAPACITOR	0.1μF, 25V
C886		NCB21EK-104X	CAPACITOR	0.1μF, 25V
L851		QQL01BK-1R0Z	COIL	1.0μH
L852		QQL071J-220Y	COIL	22μH
L853		QQL29BJ-100Z	COIL	10μH
L854		QUY153-050Y	IM BUS WIRE	
L855		QQL071J-270Y	COIL	27μH
L856		QQL071J-820Y	COIL	82μH
L857		QQL071J-330Y	COIL	33μH
L858		QQL37CJ-220Z	COIL	22μH
L859		QQL29BJ-4R7Z	COIL	4.7μH
T851		PELN0806	LC TRAP	
BK1		LP40077-001A	BRACKET(BOARD)	
CN851		QGG2502K1-20	HEADER PIN	

EJECT SW BOARD ASSEMBLY <27>

PW5	LPA10126-01C5	EJECT SW BOARD ASSY
S7011	QSW0456-002Z	TACT SWITCH, VHS EJECT
FW7005	QUM022-15A4A4	PARA RIBON WIRE

SW/DISPLAY BOARD ASSEMBLY <28>

PW1	LPA10126-01C1	SW/DISPLAY BOARD ASSY
IC7001	M35500BGP	IC
	or M35500AGP	IC
	or M35500BFP	IC
IC7002	PNA4652M00XB	IR DETECT UNIT
	or GP1U281X	IR DETECT UNIT
D7002	RD9.1ES/B2/-T2	ZENER DIODE

#	△ REF No.	PART No.	PART NAME, DESCRIPTION		#	△ REF No.	PART No.	PART NAME, DESCRIPTION
		or UZ9.1BSB	ZENER DIODE		L7001		QUY153-050Y	IM BUS WIRE
		or MTZJ9.1B	ZENER DIODE		S7001		QSW0456-002Z	TACT SWITCH,POWER
D7004		1SS133	DIODE		S7002		QSW0456-002Z	TACT SWITCH,CH+
		or 1N4148M	DIODE		S7003		QSW0456-002Z	TACT SWITCH,CH-
D7005		1SS133	DIODE		S7004		QSW0456-002Z	TACT SWITCH,REC
		or 1N4148M	DIODE		S7005		QSW0456-002Z	TACT SWITCH,PAUSE
D7006		1SS133	DIODE		S7006		QSW0456-002Z	TACT SWITCH,PLAY
		or 1N4148M	DIODE		S7007		QSW0456-002Z	TACT SWITCH,STOP
D7009		SLR-342DU3F	LE DIODE		S7012		QSW0456-002Z	TACT SWITCH,S-VHS ET
D7010		SLR-342MG3F	LE DIODE		S7013		QSW0456-002Z	TACT SWITCH,VHS
D7011		SLR-342VR3F	LE DIODE		S7014		QSW0456-002Z	TACT SWITCH,DV EJECT
D7013		SLR-342MG3F	LE DIODE		S7015		QSW0456-002Z	TACT SWITCH,RAE/REW
D7014		SLR-342VR3F	LE DIODE		S7016		QSW0456-002Z	TACT SWITCH,INSERT
D7015		SLR-342MG3F	LE DIODE		S7017		QSW0456-002Z	TACT SWITCH,A.DUB
D7016		SLR-342MG3F	LE DIODE		S7018		QSW0456-002Z	TACT SWITCH,IN/OUT
R7001		QRE141J-471Y	RESISTOR	470Ω,1/4W	S7019		QSW0456-002Z	TACT SWITCH,START
R7002		QRE141J-471Y	RESISTOR	470Ω,1/4W	S7021		QSW0456-002Z	TACT SWITCH,DV-VHS
R7003		QRE141J-471Y	RESISTOR	470Ω,1/4W	S7022		QSW0456-002Z	TACT SWITCH,VHS-DV
R7004		QRE141J-471Y	RESISTOR	470Ω,1/4W	S7023		QSW0456-002Z	TACT SWITCH,DUB
R7006		QRE141J-103Y	RESISTOR	10kΩ,1/4W	DI7001		QLF0031-002	FL TUBE
R7007		QRE141J-103Y	RESISTOR	10kΩ,1/4W	HD1		PQ34949	FDP HOLDER(L),DI7001
R7008		QRE141J-103Y	RESISTOR	10kΩ,1/4W	HD2		PQ34950	FDP HOLDER(R),DI7001
R7013		QRE141J-103Y	RESISTOR	10kΩ,1/4W	HD3		PQ40795-2-2	LED HOLDER,D7009
R7014		QUY153-050Y	IM BUS WIRE		HD4		PQM30038-1-2	LED HOLDER,D7010
R7015		QUY153-050Y	IM BUS WIRE		HD5		PQM30038-1-2	LED HOLDER,D7011
R7020		QRE141J-103Y	RESISTOR	10kΩ,1/4W	HD6		PQM30038-1-2	LED HOLDER,D7013
R7021		QRE141J-122Y	RESISTOR	1.2kΩ,1/4W	HD7		PQM30038-1-2	LED HOLDER,D7014
R7022		QRE141J-182Y	RESISTOR	1.8kΩ,1/4W	HD8		PQM30038-1-2	LED HOLDER,D7015
R7023		QRE141J-222Y	RESISTOR	2.2kΩ,1/4W	HD9		PQM30038-1-2	LED HOLDER,D7016
R7024		QRE141J-272Y	RESISTOR	2.7kΩ,1/4W	CN7001		QGF1207F1-18	FPC CONNECTOR,(1-18)MAIN
R7025		QRE141J-472Y	RESISTOR	4.7kΩ,1/4W				
R7026		QRE141J-682Y	RESISTOR	6.8kΩ,1/4W				
R7027		QRE141J-153Y	RESISTOR	15kΩ,1/4W				
R7028		QRE141J-393Y	RESISTOR	39kΩ,1/4W				
R7030		QRE141J-103Y	RESISTOR	10kΩ,1/4W				
R7031		QRE141J-122Y	RESISTOR	1.2kΩ,1/4W				
R7032		QRE141J-182Y	RESISTOR	1.8kΩ,1/4W				
R7033		QRE141J-222Y	RESISTOR	2.2kΩ,1/4W				
R7034		QRE141J-272Y	RESISTOR	2.7kΩ,1/4W				
R7035		QRE141J-472Y	RESISTOR	4.7kΩ,1/4W				
R7036		QRE141J-682Y	RESISTOR	6.8kΩ,1/4W				
R7037		QRE141J-153Y	RESISTOR	15kΩ,1/4W				
R7038		QRE141J-393Y	RESISTOR	39kΩ,1/4W				
R7040		QRE141J-103Y	RESISTOR	10kΩ,1/4W				
R7041		QRE141J-122Y	RESISTOR	1.2kΩ,1/4W				
R7042		QRE141J-182Y	RESISTOR	1.8kΩ,1/4W				
R7051		QRE141J-331Y	RESISTOR	330Ω,1/4W	R7061		QRE141J-750Y	RESISTOR 75Ω,1/4W
R7052		QRE141J-331Y	RESISTOR	330Ω,1/4W	R7063		QRE141J-750Y	RESISTOR 75Ω,1/4W
R7053		QRE141J-331Y	RESISTOR	330Ω,1/4W	R7064		QRE141J-750Y	RESISTOR 75Ω,1/4W
R7054		QRE141J-331Y	RESISTOR	330Ω,1/4W	C7061		QDYB1CM-103Y	CAPACITOR 0.01μF,16V
R7055		QRE141J-331Y	RESISTOR	330Ω,1/4W	C7062		QCBB1HJ-681	CAPACITOR 680pF,50V
R7057		QRE141J-331Y	RESISTOR	330Ω,1/4W	C7064		QCBB1HJ-681	CAPACITOR 680pF,50V
R7058		QRE141J-331Y	RESISTOR	330Ω,1/4W	L7061		QQL071J-100Y	COIL 10μH
R7059		QRE141J-331Y	RESISTOR	330Ω,1/4W	L7062		QQL071J-100Y	COIL 10μH
C7001		QCFB1HZ-104	CAPACITOR	0.1μF,50V	J7001		QND0085-001	S JACK,S VIDEO
C7002		QETN1HM-106	E CAPACITOR	10μF,50V	J7002		PEMC1126-04	PIN JACK,V IN
C7007		QEKCOJM-476	E CAPACITOR	47μF,6.3V	J7003		PEMC0922-02	PIN JACK(SW),R IN
C7009		QCSB1HJ-150	CAPACITOR	15pF,50V	J7004		PEMC0922-03	PIN JACK(SW),L IN
C7010		QCFB1HZ-104	CAPACITOR	0.1μF,50V	J7005		PU60659	MINI JACK,R.PAUSE
C7011		QKCC1AM-227	E CAPACITOR	220μF,10V	WR7001		QUB220-16A4XL	SIN TWIST WIRE
C7019		QDVB1EZ-223Y	CAPACITOR	0.022μF,25V	CN7002		QGF1207F1-16	FPC CONNECTOR,(1-16)VHS MAIN

JACK BOARD ASSEMBLY <36>

PW2	LPA10126-01C2	JACK BOARD ASSY	
D7063	1SS133	DIODE	
	or 1N4148M	DIODE	
D7064	1SS133	DIODE	
	or 1N4148M	DIODE	
D7065	1SS133	DIODE	
	or 1N4148M	DIODE	
D7066	1SS133	DIODE	
	or 1N4148M	DIODE	
R7061	QRE141J-750Y	RESISTOR	75Ω,1/4W
R7063	QRE141J-750Y	RESISTOR	75Ω,1/4W
R7064	QRE141J-750Y	RESISTOR	75Ω,1/4W
C7061	QDYB1CM-103Y	CAPACITOR	0.01μF,16V
C7062	QCBB1HJ-681	CAPACITOR	680pF,50V
C7064	QCBB1HJ-681	CAPACITOR	680pF,50V
L7061	QQL071J-100Y	COIL	10μH
L7062	QQL071J-100Y	COIL	10μH
J7001	QND0085-001	S JACK,S VIDEO	
J7002	PEMC1126-04	PIN JACK,V IN	
J7003	PEMC0922-02	PIN JACK(SW),R IN	
J7004	PEMC0922-03	PIN JACK(SW),L IN	
J7005	PU60659	MINI JACK,R.PAUSE	
WR7001	QUB220-16A4XL	SIN TWIST WIRE	
CN7002	QGF1207F1-16	FPC CONNECTOR,(1-16)VHS MAIN	

#	△ REF No.	PART No.	PART NAME, DESCRIPTION

LED/SW BOARD ASSEMBLY <47>			
PW3	LPA10126-01C3	LED/SW BOARD ASSY	
D7012	SLR-342DU3F	LE DIODE	
S7010	QSW0456-001Z	TACT SWITCH	
FW7003	QUM034-04A4A4	PARA RIBON WIRE	

#	△ REF No.	PART No.	PART NAME, DESCRIPTION

DV MAIN BOARD ASSEMBLY <50>			
PW1	LPA10117-01E1	DV MAIN BOARD ASSY	
IC1001	MN1021617FN	IC	
IC1002	TC7W04FU	IC(DIGITAL)	
IC1005	S-80823ANNP-W	IC	
IC1006	RS5C314	IC	
IC1007	25LC160-I/SN-X	IC	
	or X25170S8I-2.5-X	IC	
IC1008	TC7W08F	IC	
IC1009	MM1426CN	IC	
IC1501	MN103004KFD	IC	
	or MN1030F04KHFFD	IC	
IC1502	TC7W14FK	IC	
IC2001	JCY0133	IC	
IC2002	JCY0136	IC	
IC2003	MM1385NN	IC	
IC2004	MM1385JN	IC	
IC2007	TLC2940IPW	IC	
IC3001	JCP8029	IC	
IC3101	TC7SH04F	IC(DIGITAL)	
IC3102	TC7SH04F	IC(DIGITAL)	
IC3151	M62366GP	IC	
IC3501	NJM2538V	IC	
IC3502	MM1385HN	IC	
IC3701	AK4518-VF-X	IC	
	or PCM3006	IC	
IC3702	BA15218F-XE	IC	
IC3703	BA15218F-XE	IC	
Q1001	2SC4617/RS/-X	TRANSISTOR	
Q1002	2SC4617/RS/-X	TRANSISTOR	
Q1011	2SB1302/ST/-X	TRANSISTOR	
Q1012	DTC144EE	TRANSISTOR	
Q1013	2SB1302/ST/-X	TRANSISTOR	
Q1014	DTC144EE	TRANSISTOR	
Q1015	2SB1302/ST/-X	TRANSISTOR	
Q1016	DTC144EE	TRANSISTOR	
Q1017	2SB1302/ST/-X	TRANSISTOR	
Q1018	DTC144EE	TRANSISTOR	
Q1501	DTA114EE	TRANSISTOR	
Q1602	UMC3N	TRANSISTOR	
Q1603	UMC3N	TRANSISTOR	
Q3101	2SA1576A/RS/-X	TRANSISTOR	
Q3102	2SA1576A/RS/-X	TRANSISTOR	
Q3111	2SA1576A/RS/-X	TRANSISTOR	
Q3112	HN1B04FU/YG/-X	PAIR TRANSISTOR	

#	△ REF No.	PART No.	PART NAME, DESCRIPTION
Q3113	2SC4081/RS/-X	TRANSISTOR	
Q3114	2SC4081/S/-X	TRANSISTOR	
Q3115	DTC144EE	TRANSISTOR	
Q3131	2SA1576A/RS/-X	TRANSISTOR	
Q3132	HN1B04FU/YG/-X	PAIR TRANSISTOR	
Q3133	2SC4081/RS/-X	TRANSISTOR	
Q3501	DTC144EE	TRANSISTOR	
Q3502	2SA1576A/RS/-X	TRANSISTOR	
Q3503	2SA1576A/RS/-X	TRANSISTOR	
D1001	SB007W03Q	SB DIODE	
D1002	SB007W03Q	SB DIODE	
D1501	SB007W03Q	SB DIODE	
D2002	EC2C01C	VARI CAP DIODE	
D2003	EC2C01C	VARI CAP DIODE	
D2004	EC2C01C	VARI CAP DIODE	
R1002	NRSA63J-102X	MG RESISTOR	1kΩ, 1/16W
R1025	NRSA63J-0R0X	MG RESISTOR	0Ω, 1/16W
R1027	NRSA63J-104X	MG RESISTOR	100kΩ, 1/16W
R1028	NRSA63J-0R0X	MG RESISTOR	0Ω, 1/16W
R1029	NRSA63J-0R0X	MG RESISTOR	0Ω, 1/16W
R1030	NRSA63J-102X	MG RESISTOR	1kΩ, 1/16W
R1031	NRSA63J-102X	MG RESISTOR	1kΩ, 1/16W
R1032	NRSA63J-102X	MG RESISTOR	1kΩ, 1/16W
R1033	NRSA63J-0R0X	MG RESISTOR	0Ω, 1/16W
R1035	NRSA63J-102X	MG RESISTOR	1kΩ, 1/16W
R1037	NRSA63J-103X	MG RESISTOR	10kΩ, 1/16W
R1038	NRSA63J-103X	MG RESISTOR	10kΩ, 1/16W
R1041	NRSA63J-102X	MG RESISTOR	1kΩ, 1/16W
R1043	NRSA63J-102X	MG RESISTOR	1kΩ, 1/16W
R1045	NRSA63J-102X	MG RESISTOR	1kΩ, 1/16W
R1046	NRSA63J-102X	MG RESISTOR	1kΩ, 1/16W
R1047	NRSA63J-102X	MG RESISTOR	1kΩ, 1/16W
R1048	NRSA63J-102X	MG RESISTOR	1kΩ, 1/16W
R1049	NRSA63J-103X	MG RESISTOR	10kΩ, 1/16W
R1050	NRSA63J-0R0X	MG RESISTOR	0Ω, 1/16W
R1051	NRSA63J-223X	MG RESISTOR	22kΩ, 1/16W
R1052	NRSA63J-333X	MG RESISTOR	33kΩ, 1/16W
R1053	NRSA63J-102X	MG RESISTOR	1kΩ, 1/16W
R1061	NRSA63J-472X	MG RESISTOR	4.7kΩ, 1/16W
R1062	NRSA63J-472X	MG RESISTOR	4.7kΩ, 1/16W
R1063	NRSA63J-103X	MG RESISTOR	10kΩ, 1/16W
R1064	NRSA63J-472X	MG RESISTOR	4.7kΩ, 1/16W
R1065	NRSA63J-103X	MG RESISTOR	10kΩ, 1/16W
R1081	NRSA63J-0R0X	MG RESISTOR	0Ω, 1/16W
R1082	NRSA63J-103X	MG RESISTOR	10kΩ, 1/16W
R1083	NRSA63J-222X	MG RESISTOR	2.2kΩ, 1/16W
R1084	NRSA63J-104X	MG RESISTOR	100kΩ, 1/16W
R1085	NRSA63J-104X	MG RESISTOR	100kΩ, 1/16W
R1091	NRSA63J-103X	MG RESISTOR	10kΩ, 1/16W
R1092	NRSA63J-102X	MG RESISTOR	1kΩ, 1/16W
R1093	NRSA63J-103X	MG RESISTOR	10kΩ, 1/16W
R1094	NRSA63J-271X	MG RESISTOR	270Ω, 1/16W
R1095	NRSA63J-103X	MG RESISTOR	10kΩ, 1/16W
R1096	NRSA63J-271X	MG RESISTOR	270Ω, 1/16W
R1098	NRSA63J-103X	MG RESISTOR	10kΩ, 1/16W
R1099	NRSA63J-102X	MG RESISTOR	1kΩ, 1/16W
R1100	NRSA63J-0R0X	MG RESISTOR	0Ω, 1/16W
R1103	NRSA63J-0R0X	MG RESISTOR	0Ω, 1/16W
R1105	NRSA63J-0R0X	MG RESISTOR	0Ω, 1/16W
R1106	NRSA63J-0R0X	MG RESISTOR	0Ω, 1/16W
R1107	NRSA63J-0R0X	MG RESISTOR	0Ω, 1/16W

#	△	REF No.	PART No.	PART NAME, DESCRIPTION	#	△	REF No.	PART No.	PART NAME, DESCRIPTION
R1114			NRSA63J-0R0X	MG RESISTOR	R1603			NRSA63J-0R0X	MG RESISTOR
R1117			NRSA63J-0R0X	MG RESISTOR	R1605			NRSA63J-0R0X	MG RESISTOR
R1118			NRSA63J-0R0X	MG RESISTOR	R1606			NRSA63J-0R0X	MG RESISTOR
R1119			NRSA63J-0R0X	MG RESISTOR	R1607			NRSA63J-0R0X	MG RESISTOR
R1120			NRSA63J-0R0X	MG RESISTOR	R1608			NRSA63J-0R0X	MG RESISTOR
R1125			NRSA63J-102X	MG RESISTOR	R1609			NRSA63J-0R0X	MG RESISTOR
R1126			NRSA63J-102X	MG RESISTOR	R1611			NRSA63J-0R0X	MG RESISTOR
R1501			NRSA63J-0R0X	MG RESISTOR	R1612			NRSA63J-0R0X	MG RESISTOR
R1502			NRSA63J-0R0X	MG RESISTOR	R1613			NRSA63J-0R0X	MG RESISTOR
R1503			NRSA63J-0R0X	MG RESISTOR	R1614			NRSA63J-0R0X	MG RESISTOR
R1504			NRSA63J-102X	MG RESISTOR	R1615			NRSA63J-0R0X	MG RESISTOR
R1505			NRSA63J-0R0X	MG RESISTOR	R1616			NRSA63J-0R0X	MG RESISTOR
R1506			NRSA63J-0R0X	MG RESISTOR	R1617			NRSA63J-0R0X	MG RESISTOR
R1514			NRSA63J-0R0X	MG RESISTOR	R1618			NRSA63J-0R0X	MG RESISTOR
R1515			NRSA63J-0R0X	MG RESISTOR	R1619			NRSA63J-0R0X	MG RESISTOR
R1516			NRSA63J-0R0X	MG RESISTOR	R1631			NRSA63J-331X	MG RESISTOR
R1517			NRSA63J-0R0X	MG RESISTOR	R1636			NRSA63J-0R0X	MG RESISTOR
R1518			NRSA63J-0R0X	MG RESISTOR	R1641			NRSA63J-0R0X	MG RESISTOR
R1519			NRSA63J-472X	MG RESISTOR	R1642			NRSA63J-0R0X	MG RESISTOR
R1520			NRSA63J-102X	MG RESISTOR	R1644			NRSA63J-0R0X	MG RESISTOR
R1521			NRSA63J-222X	MG RESISTOR	R1645			NRSA63J-0R0X	MG RESISTOR
R1522			NRSA63J-222X	MG RESISTOR	R1646			NRSA63J-0R0X	MG RESISTOR
R1523			NRSA63J-0R0X	MG RESISTOR	R1647			NRSA63J-0R0X	MG RESISTOR
R1524			NRSA63J-0R0X	MG RESISTOR	R1648			NRSA63J-0R0X	MG RESISTOR
R1525			NRSA63J-0R0X	MG RESISTOR	R1649			NRSA63J-0R0X	MG RESISTOR
R1526			NRSA63J-0R0X	MG RESISTOR	R1650			NRSA63J-0R0X	MG RESISTOR
R1527			NRSA63J-0R0X	MG RESISTOR	R1651			NRSA63J-0R0X	MG RESISTOR
R1528			NRSA63J-0R0X	MG RESISTOR	R1653			NRSA63J-0R0X	MG RESISTOR
R1535			NRSA63J-332X	MG RESISTOR	R1655			NRSA63J-0R0X	MG RESISTOR
R1536			NRSA63J-202X	MG RESISTOR	R1661			NRSA63J-101X	MG RESISTOR
R1537			NRSA63J-332X	MG RESISTOR	R1663			NRSA63J-330X	MG RESISTOR
R1538			NRSA63J-332X	MG RESISTOR	R1665			NRSA63J-683X	MG RESISTOR
R1539			NRSA63J-332X	MG RESISTOR	R1666			NRSA63J-683X	MG RESISTOR
R1540			NRSA63J-0R0X	MG RESISTOR	R1667			NRSA63J-102X	MG RESISTOR
R1546			NRSA63J-102X	MG RESISTOR	R1668			NRSA63J-102X	MG RESISTOR
R1547			NRSA63J-0R0X	MG RESISTOR	R2010			NRSA63J-0R0X	MG RESISTOR
R1552			NRSA63J-0R0X	MG RESISTOR	R2011			NRSA63J-151X	MG RESISTOR
R1553			NRSA63J-0R0X	MG RESISTOR	R2012			NRSA63J-332X	MG RESISTOR
R1558			NRSA63J-0R0X	MG RESISTOR	R2013			NRSA63J-151X	MG RESISTOR
R1560			NRSA63J-0R0X	MG RESISTOR	R2014			NRSA63J-332X	MG RESISTOR
R1562			NRSA63J-0R0X	MG RESISTOR	R2015			NRSA63J-0R0X	MG RESISTOR
R1563			NRSA63J-0R0X	MG RESISTOR	R2016			NRSA63J-105X	MG RESISTOR
R1564			NRSA63J-0R0X	MG RESISTOR	R2017			NRSA63J-0R0X	MG RESISTOR
R1565			NRSA63J-332X	MG RESISTOR	R2018			NRSA63J-562X	MG RESISTOR
R1566			NRSA63J-332X	MG RESISTOR	R2019			NRSA63J-222X	MG RESISTOR
R1567			NRSA63J-332X	MG RESISTOR	R2020			NRSA63J-102X	MG RESISTOR
R1568			NRSA63J-332X	MG RESISTOR	R2021			NRSA63J-102X	MG RESISTOR
R1569			NRSA63J-0R0X	MG RESISTOR	R2022			NRSA63J-103X	MG RESISTOR
R1575			NRSA63J-0R0X	MG RESISTOR	R2023			NRSA63J-103X	MG RESISTOR
R1576			NRSA63J-0R0X	MG RESISTOR	R2027			NRSA63J-224X	MG RESISTOR
R1577			NRSA63J-0R0X	MG RESISTOR	R2033			NRSA63J-242X	MG RESISTOR
R1578			NRSA63J-102X	MG RESISTOR	R2034			NRSA63J-392X	MG RESISTOR
R1579			NRSA63J-102X	MG RESISTOR	R2035			NRSA63J-392X	MG RESISTOR
R1580			NRSA63J-102X	MG RESISTOR	R2036			NRSA63J-560X	MG RESISTOR
R1581			NRSA63J-0R0X	MG RESISTOR	R2037			NRSA63J-560X	MG RESISTOR
R1587			NRSA63J-0R0X	MG RESISTOR	R2038			NRSA63J-560X	MG RESISTOR
R1591			NRSA63J-103X	MG RESISTOR	R2039			NRSA63J-560X	MG RESISTOR
R1592			NRSA63J-103X	MG RESISTOR	R2040			NRSA63J-512X	MG RESISTOR
R1593			NRSA63J-103X	MG RESISTOR	R2041			NRSA63J-103X	MG RESISTOR
R1601			NRSA63J-0R0X	MG RESISTOR	R2042			NRSA63J-103X	MG RESISTOR
R1602			NRSA63J-0R0X	MG RESISTOR	R2043			NRSA63J-105X	MG RESISTOR

#	△ REF No.	PART No.	PART NAME, DESCRIPTION	#	△ REF No.	PART No.	PART NAME, DESCRIPTION
R2044		NRSA63J-0R0X	MG RESISTOR 0Ω,1/16W	R3004		NRSA63J-271X	MG RESISTOR 270Ω,1/16W
R2047		NRSA63J-224X	MG RESISTOR 220kΩ,1/16W	R3005		NRSA63J-101X	MG RESISTOR 100Ω,1/16W
R2048		NRSA63J-224X	MG RESISTOR 220kΩ,1/16W	R3007		NRSA63J-0R0X	MG RESISTOR 0Ω,1/16W
R2049		NRSA63J-0R0X	MG RESISTOR 0Ω,1/16W	R3008		NRSA63J-152X	MG RESISTOR 1.5kΩ,1/16W
R2050		NRSA63J-222X	MG RESISTOR 2.2kΩ,1/16W	R3024		NRSA63J-0R0X	MG RESISTOR 0Ω,1/16W
R2052		NRSA63J-0R0X	MG RESISTOR 0Ω,1/16W	R3025		NRSA63J-0R0X	MG RESISTOR 0Ω,1/16W
R2053		NRSA63J-0R0X	MG RESISTOR 0Ω,1/16W	R3026		NRSA63J-0R0X	MG RESISTOR 0Ω,1/16W
R2054		NRSA63J-0R0X	MG RESISTOR 0Ω,1/16W	R3027		NRSA63J-0R0X	MG RESISTOR 0Ω,1/16W
R2055		NRSA63J-0R0X	MG RESISTOR 0Ω,1/16W	R3028		NRSA63J-0R0X	MG RESISTOR 0Ω,1/16W
R2056		NRSA63J-0R0X	MG RESISTOR 0Ω,1/16W	R3029		NRSA63J-0R0X	MG RESISTOR 0Ω,1/16W
R2057		NRSA63J-0R0X	MG RESISTOR 0Ω,1/16W	R3032		NRSA63J-0R0X	MG RESISTOR 0Ω,1/16W
R2058		NRSA63J-0R0X	MG RESISTOR 0Ω,1/16W	R3033		NRSA63J-0R0X	MG RESISTOR 0Ω,1/16W
R2059		NRSA63J-0R0X	MG RESISTOR 0Ω,1/16W	R3034		NRSA63J-0R0X	MG RESISTOR 0Ω,1/16W
R2060		NRSA63J-0R0X	MG RESISTOR 0Ω,1/16W	R3035		NRSA63J-0R0X	MG RESISTOR 0Ω,1/16W
R2061		NRSA63J-0R0X	MG RESISTOR 0Ω,1/16W	R3048		NRSA63J-0R0X	MG RESISTOR 0Ω,1/16W
R2062		NRSA63J-0R0X	MG RESISTOR 0Ω,1/16W	R3054		NRSA63J-0R0X	MG RESISTOR 0Ω,1/16W
R2082		NRSA63J-0R0X	MG RESISTOR 0Ω,1/16W	R3056		NRSA63J-0R0X	MG RESISTOR 0Ω,1/16W
R2083		NRSA63J-0R0X	MG RESISTOR 0Ω,1/16W	R3057		NRSA63J-0R0X	MG RESISTOR 0Ω,1/16W
R2084		NRSA63J-0R0X	MG RESISTOR 0Ω,1/16W	R3058		NRSA63J-0R0X	MG RESISTOR 0Ω,1/16W
R2085		NRSA63J-0R0X	MG RESISTOR 0Ω,1/16W	R3064		NRSA63J-0R0X	MG RESISTOR 0Ω,1/16W
R2086		NRSA63J-0R0X	MG RESISTOR 0Ω,1/16W	R3065		NRSA63J-0R0X	MG RESISTOR 0Ω,1/16W
R2087		NRSA63J-105X	MG RESISTOR 1MΩ,1/16W	R3069		NRSA63J-0R0X	MG RESISTOR 0Ω,1/16W
R2088		NRSA63J-105X	MG RESISTOR 1MΩ,1/16W	R3070		NRSA63J-0R0X	MG RESISTOR 0Ω,1/16W
R2089		NRSA63J-0R0X	MG RESISTOR 0Ω,1/16W	R3071		NRSA63J-0R0X	MG RESISTOR 0Ω,1/16W
R2090		NRSA63J-102X	MG RESISTOR 1kΩ,1/16W	R3073		NRSA63J-272X	MG RESISTOR 2.7kΩ,1/16W
R2091		NRSA63J-102X	MG RESISTOR 1kΩ,1/16W	R3074		NRSA63J-821X	MG RESISTOR 820Ω,1/16W
R2092		NRSA63J-102X	MG RESISTOR 1kΩ,1/16W	R3076		NRSA63J-101X	MG RESISTOR 100Ω,1/16W
R2093		NRSA63J-102X	MG RESISTOR 1kΩ,1/16W	R3078		NRSA63J-152X	MG RESISTOR 1.5kΩ,1/16W
R2094		NRSA63J-102X	MG RESISTOR 1kΩ,1/16W	R3079		NRSA63J-272X	MG RESISTOR 2.7kΩ,1/16W
R2098		NQR0146-004X	FERRITE BEAD	R3080		NRSA63J-0R0X	MG RESISTOR 0Ω,1/16W
R2101		NRSA63J-0R0X	MG RESISTOR 0Ω,1/16W	R3101		NRSA63J-0R0X	MG RESISTOR 0Ω,1/16W
R2102		NRSA63J-0R0X	MG RESISTOR 0Ω,1/16W	R3102		NRSA63J-102X	MG RESISTOR 1kΩ,1/16W
R2103		NRSA63J-0R0X	MG RESISTOR 0Ω,1/16W	R3103		NRSA63J-331X	MG RESISTOR 330Ω,1/16W
R2104		NRSA63J-0R0X	MG RESISTOR 0Ω,1/16W	R3104		NRSA63J-0R0X	MG RESISTOR 0Ω,1/16W
R2106		NRSA63J-0R0X	MG RESISTOR 0Ω,1/16W	R3105		NRSA63J-102X	MG RESISTOR 1kΩ,1/16W
R2107		NRSA63J-0R0X	MG RESISTOR 0Ω,1/16W	R3106		NRSA63J-271X	MG RESISTOR 270Ω,1/16W
R2108		NRSA63J-0R0X	MG RESISTOR 0Ω,1/16W	R3111		NRSA63J-563X	MG RESISTOR 56kΩ,1/16W
R2109		NRSA63J-0R0X	MG RESISTOR 0Ω,1/16W	R3112		NRSA63J-473X	MG RESISTOR 47kΩ,1/16W
R2110		NRSA63J-0R0X	MG RESISTOR 0Ω,1/16W	R3113		NRSA63J-220X	MG RESISTOR 22Ω,1/16W
R2112		NRSA63J-0R0X	MG RESISTOR 0Ω,1/16W	R3114		NRSA63J-681X	MG RESISTOR 680Ω,1/16W
R2113		NRSA63J-0R0X	MG RESISTOR 0Ω,1/16W	R3115		NRSA63J-821X	MG RESISTOR 820Ω,1/16W
R2114		NRSA63J-0R0X	MG RESISTOR 0Ω,1/16W	R3116		NRSA63J-103X	MG RESISTOR 10kΩ,1/16W
R2115		NRSA63J-0R0X	MG RESISTOR 0Ω,1/16W	R3117		NRSA63J-222X	MG RESISTOR 2.2kΩ,1/16W
R2116		NRSA63J-0R0X	MG RESISTOR 0Ω,1/16W	R3118		NRSA63J-473X	MG RESISTOR 47kΩ,1/16W
R2117		NRSA63J-0R0X	MG RESISTOR 0Ω,1/16W	R3119		NRSA63J-563X	MG RESISTOR 56kΩ,1/16W
R2118		NRSA63J-0R0X	MG RESISTOR 0Ω,1/16W	R3120		NRSA63J-681X	MG RESISTOR 680Ω,1/16W
R2119		NRSA63J-0R0X	MG RESISTOR 0Ω,1/16W	R3121		NRVA63D-821X	CMF RESISTOR 820Ω,1/16W
R2121		NRSA63J-0R0X	MG RESISTOR 0Ω,1/16W	R3122		NRVA63D-821X	CMF RESISTOR 820Ω,1/16W
R2122		NRSA63J-0R0X	MG RESISTOR 0Ω,1/16W	R3123		NRSA63J-271X	MG RESISTOR 270Ω,1/16W
R2123		NRSA63J-0R0X	MG RESISTOR 0Ω,1/16W	R3124		NRSA63J-474X	MG RESISTOR 470kΩ,1/16W
R2124		NRSA63J-0R0X	MG RESISTOR 0Ω,1/16W	R3125		NRSA63J-122X	MG RESISTOR 1.2kΩ,1/16W
R2125		NRSA63J-0R0X	MG RESISTOR 0Ω,1/16W	R3131		NRSA63J-563X	MG RESISTOR 56kΩ,1/16W
R2126		NRSA63J-0R0X	MG RESISTOR 0Ω,1/16W	R3132		NRSA63J-473X	MG RESISTOR 47kΩ,1/16W
R2140		NRSA63J-0R0X	MG RESISTOR 0Ω,1/16W	R3133		NRSA63J-220X	MG RESISTOR 22Ω,1/16W
R2141		NRSA63J-102X	MG RESISTOR 1kΩ,1/16W	R3134		NRSA63J-681X	MG RESISTOR 680Ω,1/16W
R2142		NRSA63J-102X	MG RESISTOR 1kΩ,1/16W	R3135		NRSA63J-821X	MG RESISTOR 820Ω,1/16W
R2145		NRSA63J-561X	MG RESISTOR 560Ω,1/16W	R3136		NRSA63J-183X	MG RESISTOR 18kΩ,1/16W
R2146		NRSA63J-392X	MG RESISTOR 3.9kΩ,1/16W	R3137		NRSA63J-222X	MG RESISTOR 2.2kΩ,1/16W
R2149		NRSA63J-0R0X	MG RESISTOR 0Ω,1/16W	R3138		NRSA63J-473X	MG RESISTOR 47kΩ,1/16W
R2150		NRSA63J-222X	MG RESISTOR 2.2kΩ,1/16W	R3139		NRSA63J-393X	MG RESISTOR 39kΩ,1/16W
R3003		NRSA63J-821X	MG RESISTOR 820Ω,1/16W	R3140		NRSA63J-681X	MG RESISTOR 680Ω,1/16W

#	△	REF No.	PART No.	PART NAME, DESCRIPTION		#	△	REF No.	PART No.	PART NAME, DESCRIPTION	
R3141			NRVA63D-821X	CMF RESISTOR	820Ω,1/16W	RA1001			NRZ0040-102X	NETWORK RESISTOR	
R3142			NRSA63J-122X	MG RESISTOR	1.2kΩ,1/16W	RA1002			NRZ0040-102X	NETWORK RESISTOR	
R3143			NRSA63J-271X	MG RESISTOR	270Ω,1/16W	RA1003			NRZ0040-102X	NETWORK RESISTOR	
R3161			NRSA63J-105X	MG RESISTOR	1MΩ,1/16W	RA1004			NRZ0040-102X	NETWORK RESISTOR	
R3162			NRSA63J-221X	MG RESISTOR	220Ω,1/16W	RA1005			NRZ0040-104X	NETWORK RESISTOR	
R3163			NRSA63J-0R0X	MG RESISTOR	0Ω,1/16W	RA1006			NRZ0040-104X	NETWORK RESISTOR	
R3164			NRSA63J-0R0X	MG RESISTOR	0Ω,1/16W	RA1501			NRZ0040-0R0X	NETWORK RESISTOR	
R3501			NRSA63J-225X	MG RESISTOR	2.2MΩ,1/16W	RA1502			NRZ0040-0R0X	NETWORK RESISTOR	
R3502			NRSA63J-103X	MG RESISTOR	10kΩ,1/16W	RA1503			NRZ0040-0R0X	NETWORK RESISTOR	
R3503			NRSA63J-103X	MG RESISTOR	10kΩ,1/16W	RA1504			NRZ0040-0R0X	NETWORK RESISTOR	
R3504			NRSA63J-121X	MG RESISTOR	120Ω,1/16W	RA1505			NRZ0040-102X	NETWORK RESISTOR	
R3505			NRSA63J-680X	MG RESISTOR	68Ω,1/16W	RA1506			NRZ0040-102X	NETWORK RESISTOR	
R3506			NRSA63J-750X	MG RESISTOR	75Ω,1/16W	RA1507			NRZ0040-102X	NETWORK RESISTOR	
R3507			NRSA63J-680X	MG RESISTOR	68Ω,1/16W	RA1508			NRZ0040-102X	NETWORK RESISTOR	
R3508			NRSA63J-750X	MG RESISTOR	75Ω,1/16W	RA1509			NRZ0040-102X	NETWORK RESISTOR	
R3509			NRSA63J-224X	MG RESISTOR	220kΩ,1/16W	RA1510			NRZ0040-473X	NETWORK RESISTOR	
R3510			NRSA63J-103X	MG RESISTOR	10kΩ,1/16W	RA4001			NRZ0040-0R0X	NETWORK RESISTOR	
R3511			NRSA63J-203X	MG RESISTOR	20kΩ,1/16W	RA4002			NRZ0040-0R0X	NETWORK RESISTOR	
R3512			NRSA63J-103X	MG RESISTOR	10kΩ,1/16W	C1001			NCB31CK-104X	CAPACITOR	0.1μF,16V
R3521			NRSA63J-621X	MG RESISTOR	620Ω,1/16W	C1002			NCB31CK-104X	CAPACITOR	0.1μF,16V
R3522			NRSA63J-472X	MG RESISTOR	4.7kΩ,1/16W	C1006			NCB31CK-104X	CAPACITOR	0.1μF,16V
R3523			NRSA63J-332X	MG RESISTOR	3.3kΩ,1/16W	C1007			NCB31CK-104X	CAPACITOR	0.1μF,16V
R3524			NRSA63J-222X	MG RESISTOR	2.2kΩ,1/16W	C1008			NCB31CK-104X	CAPACITOR	0.1μF,16V
R3526			NRSA63J-681X	MG RESISTOR	680Ω,1/16W	C1010			NCB31CK-104X	CAPACITOR	0.1μF,16V
R3527			NRSA63J-472X	MG RESISTOR	4.7kΩ,1/16W	C1011			NCB31CK-104X	CAPACITOR	0.1μF,16V
R3528			NRSA63J-332X	MG RESISTOR	3.3kΩ,1/16W	C1021			NCB31CK-104X	CAPACITOR	0.1μF,16V
R3529			NRSA63J-222X	MG RESISTOR	2.2kΩ,1/16W	C1041			NCB31CK-104X	CAPACITOR	0.1μF,16V
R3532			NRSA63J-0R0X	MG RESISTOR	0Ω,1/16W	C1042			NCB31CK-104X	CAPACITOR	0.1μF,16V
R3534			NRSA63J-0R0X	MG RESISTOR	0Ω,1/16W	C1043			NDC31HJ-120X	CAPACITOR	12pF,50V
R3701			NRSA63J-153X	MG RESISTOR	15kΩ,1/16W	C1044			NDC31HJ-120X	CAPACITOR	12pF,50V
R3702			NRSA63J-153X	MG RESISTOR	15kΩ,1/16W	C1045			NCB31CK-104X	CAPACITOR	0.1μF,16V
R3703			NRSA63J-822X	MG RESISTOR	8.2kΩ,1/16W	C1047			NBE21AM-106X	T CAPACITOR	10μF,10V
R3704			NRSA63J-822X	MG RESISTOR	8.2kΩ,1/16W	C1051			NEA70JM-226X	E CAPACITOR	22μF,6.3V
R3705			NRSA63J-0R0X	MG RESISTOR	0Ω,1/16W	C1052			NCB31CK-104X	CAPACITOR	0.1μF,16V
R3709			NRSA63J-100X	MG RESISTOR	10Ω,1/16W	C1053			NEA70JM-226X	E CAPACITOR	22μF,6.3V
R3711			NRSA63J-302X	MG RESISTOR	3kΩ,1/16W	C1054			NCB31CK-104X	CAPACITOR	0.1μF,16V
R3712			NRSA63J-302X	MG RESISTOR	3kΩ,1/16W	C1055			NEA70JM-107X	E CAPACITOR	100μF,6.3V
R3713			NRSA63J-102X	MG RESISTOR	1kΩ,1/16W	C1056			NCB31CK-104X	CAPACITOR	0.1μF,16V
R3714			NRSA63J-102X	MG RESISTOR	1kΩ,1/16W	C1057			NEA70JM-107X	E CAPACITOR	100μF,6.3V
R3715			NRSA63J-0R0X	MG RESISTOR	0Ω,1/16W	C1058			NCB31CK-104X	CAPACITOR	0.1μF,16V
R3716			NRSA63J-103X	MG RESISTOR	10kΩ,1/16W	C1059			NEA70JM-226X	E CAPACITOR	22μF,6.3V
R3717			NRSA63J-103X	MG RESISTOR	10kΩ,1/16W	C1060			NCB31CK-104X	CAPACITOR	0.1μF,16V
R3718			NRSA63J-0R0X	MG RESISTOR	0Ω,1/16W	C1061			NCB31CK-104X	CAPACITOR	0.1μF,16V
R3719			NRSA63J-102X	MG RESISTOR	1kΩ,1/16W	C1062			NCB31CK-104X	CAPACITOR	0.1μF,16V
R3720			NRSA63J-102X	MG RESISTOR	1kΩ,1/16W	C1063			NEA70JM-107X	E CAPACITOR	100μF,6.3V
R3721			NRSA63J-221X	MG RESISTOR	220Ω,1/16W	C1064			NCB31CK-104X	CAPACITOR	0.1μF,16V
R3722			NRSA63J-272X	MG RESISTOR	2.7kΩ,1/16W	C1068			NCB31CK-104X	CAPACITOR	0.1μF,16V
R3723			NRSA63J-102X	MG RESISTOR	1kΩ,1/16W	C1070			NEA70JM-226X	E CAPACITOR	22μF,6.3V
R3726			NRSA63J-102X	MG RESISTOR	1kΩ,1/16W	C1501			NCB31CK-104X	CAPACITOR	0.1μF,16V
R3727			NRSA63J-272X	MG RESISTOR	2.7kΩ,1/16W	C1502			NCB31CK-104X	CAPACITOR	0.1μF,16V
R3728			NRSA63J-221X	MG RESISTOR	220Ω,1/16W	C1504			NCB31CK-104X	CAPACITOR	0.1μF,16V
R3731			NRSA63J-0R0X	MG RESISTOR	0Ω,1/16W	C1505			NCB31EK-103X	CAPACITOR	0.01μF,25V
R3732			NRSA63J-0R0X	MG RESISTOR	0Ω,1/16W	C1506			NCB31EK-103X	CAPACITOR	0.01μF,25V
R3733			NRSA63J-0R0X	MG RESISTOR	0Ω,1/16W	C1507			NCB31EK-103X	CAPACITOR	0.01μF,25V
R3734			NRSA63J-0R0X	MG RESISTOR	0Ω,1/16W	C1508			NCB31CK-104X	CAPACITOR	0.1μF,16V
R3735			NRSA63J-0R0X	MG RESISTOR	0Ω,1/16W	C1509			NEA70JM-476X	E CAPACITOR	47μF,6.3V
R3736			NRSA63J-0R0X	MG RESISTOR	0Ω,1/16W	C1510			NEA70JM-476X	E CAPACITOR	47μF,6.3V
R3740			NRSA63J-221X	MG RESISTOR	220Ω,1/16W	C1515			NCB31EK-223X	CAPACITOR	0.022μF,25V
R4001			NRSA63J-0R0X	MG RESISTOR	0Ω,1/16W	C1516			NCB31EK-223X	CAPACITOR	0.022μF,25V
R4002			NRSA63J-0R0X	MG RESISTOR	0Ω,1/16W	C1517			NCB31EK-223X	CAPACITOR	0.022μF,25V
R4010			NRSA63J-103X	MG RESISTOR	10kΩ,1/16W	C1518			NCB31EK-223X	CAPACITOR	0.022μF,25V

#	△ REF No.	PART No.	PART NAME, DESCRIPTION	#	△ REF No.	PART No.	PART NAME, DESCRIPTION
C1521		NCB31CK-104X	CAPACITOR 0.1μF,16V	C2111		NCF21CZ-105X	CAPACITOR 1μF,16V
C1522		NCB31CK-104X	CAPACITOR 0.1μF,16V	C2112		NEA70JM-226X	E CAPACITOR 22μF,6.3V
C1523		NCB31CK-104X	CAPACITOR 0.1μF,16V	C2113		NCB31CK-104X	CAPACITOR 0.1μF,16V
C2001		NCB31CK-104X	CAPACITOR 0.1μF,16V	C2114		NCB31EK-103X	CAPACITOR 0.01μF,25V
C2002		NCB31CK-104X	CAPACITOR 0.1μF,16V	C2115		NCB31CK-104X	CAPACITOR 0.1μF,16V
C2003		NCB31CK-104X	CAPACITOR 0.1μF,16V	C3001		NCB31CK-104X	CAPACITOR 0.1μF,16V
C2005		NCB31CK-104X	CAPACITOR 0.1μF,16V	C3002		NCB31CK-104X	CAPACITOR 0.1μF,16V
C2006		NCB31CK-104X	CAPACITOR 0.1μF,16V	C3003		NCB31CK-104X	CAPACITOR 0.1μF,16V
C2007		NCB31CK-104X	CAPACITOR 0.1μF,16V	C3004		NCB31CK-104X	CAPACITOR 0.1μF,16V
C2008		NDC31HJ-120X	CAPACITOR 12pF,50V	C3005		NCB31CK-104X	CAPACITOR 0.1μF,16V
C2009		NDC31HJ-120X	CAPACITOR 12pF,50V	C3006		NCB31CK-104X	CAPACITOR 0.1μF,16V
C2010		NCB31CK-104X	CAPACITOR 0.1μF,16V	C3007		NCB31CK-104X	CAPACITOR 0.1μF,16V
C2011		NCB31CK-104X	CAPACITOR 0.1μF,16V	C3008		NCB31CK-104X	CAPACITOR 0.1μF,16V
C2014		NDC31HJ-390X	CAPACITOR 39pF,50V	C3009		NCB31CK-104X	CAPACITOR 0.1μF,16V
C2015		NDC31HJ-102X	CAPACITOR 0.001μF,50V	C3010		NCB31CK-104X	CAPACITOR 0.1μF,16V
C2016		NCB31CK-104X	CAPACITOR 0.1μF,16V	C3011		NEA70JM-226X	E CAPACITOR 22μF,6.3V
C2017		NCF21CZ-105X	CAPACITOR 1μF,16V	C3012		NCB31CK-104X	CAPACITOR 0.1μF,16V
C2018		NCB31EK-472X	CAPACITOR 0.0047μF,25V	C3013		NCB31CK-104X	CAPACITOR 0.1μF,16V
C2019		NDC31HJ-271X	CAPACITOR 270pF,50V	C3014		NCB31CK-104X	CAPACITOR 0.1μF,16V
C2020		NCB31CK-104X	CAPACITOR 0.1μF,16V	C3015		NCB31CK-104X	CAPACITOR 0.1μF,16V
C2022		NCB31CK-104X	CAPACITOR 0.1μF,16V	C3016		NCB31CK-104X	CAPACITOR 0.1μF,16V
C2023		NCB31CK-104X	CAPACITOR 0.1μF,16V	C3017		NCB31CK-104X	CAPACITOR 0.1μF,16V
C2024		NDC31HJ-6R0X	CAPACITOR 6pF,50V	C3101		NCB31CK-104X	CAPACITOR 0.1μF,16V
C2025		NDC31HJ-6R0X	CAPACITOR 6pF,50V	C3102		QEKJ0JM-337	E CAPACITOR 330μF,6.3V
C2026		NDC31HJ-102X	CAPACITOR 0.001μF,50V	C3103		NCB31CK-104X	CAPACITOR 0.1μF,16V
C2027		NDC31HJ-390X	CAPACITOR 39pF,50V	C3106		NEA70JM-226X	E CAPACITOR 22μF,6.3V
C2028		NDC31HJ-102X	CAPACITOR 0.001μF,50V	C3107		NCB31CK-104X	CAPACITOR 0.1μF,16V
C2029		NDC31HJ-330X	CAPACITOR 33pF,50V	C3108		NEA70JM-226X	E CAPACITOR 22μF,6.3V
C2031		NCB31CK-104X	CAPACITOR 0.1μF,16V	C3109		NCB31CK-104X	CAPACITOR 0.1μF,16V
C2032		NCB31CK-104X	CAPACITOR 0.1μF,16V	C3111		NCB31CK-104X	CAPACITOR 0.1μF,16V
C2033		NCB31CK-104X	CAPACITOR 0.1μF,16V	C3112		NEA70JM-476X	E CAPACITOR 47μF,6.3V
C2036		NCB31CK-104X	CAPACITOR 0.1μF,16V	C3113		NDC31HJ-220X	CAPACITOR 22pF,50V
C2037		NCB31CK-104X	CAPACITOR 0.1μF,16V	C3114		NDC31HJ-8R0X	CAPACITOR 8pF,50V
C2038		NCB31CK-104X	CAPACITOR 0.1μF,16V	C3115		NDC31HJ-220X	CAPACITOR 22pF,50V
C2039		NCB31CK-104X	CAPACITOR 0.1μF,16V	C3116		NCB20JM-475X	CAPACITOR 4.7μF,6.3V
C2040		NCB31CK-104X	CAPACITOR 0.1μF,16V	C3118		NCB20JM-475X	CAPACITOR 4.7μF,6.3V
C2041		NCB31CK-104X	CAPACITOR 0.1μF,16V	C3119		NCB31CK-104X	CAPACITOR 0.1μF,16V
C2042		NCB31CK-104X	CAPACITOR 0.1μF,16V	C3121		NCB31CK-104X	CAPACITOR 0.1μF,16V
C2043		NCB31CK-104X	CAPACITOR 0.1μF,16V	C3122		NDC31HJ-8R0X	CAPACITOR 8pF,50V
C2044		NCB31CK-104X	CAPACITOR 0.1μF,16V	C3124		NDC31HJ-120X	CAPACITOR 12pF,50V
C2051		NEA70JM-226X	E CAPACITOR 22μF,6.3V	C3125		NCB20JM-475X	CAPACITOR 4.7μF,6.3V
C2052		NCF21CZ-105X	CAPACITOR 1μF,16V	C3127		NCB31CK-104X	CAPACITOR 0.1μF,16V
C2053		NCB31CK-104X	CAPACITOR 0.1μF,16V	C3128		NCB31CK-104X	CAPACITOR 0.1μF,16V
C2054		NEA70JM-226X	E CAPACITOR 22μF,6.3V	C3131		NEA70JM-226X	E CAPACITOR 22μF,6.3V
C2055		NEA70JM-226X	E CAPACITOR 22μF,6.3V	C3132		NCB31CK-104X	CAPACITOR 0.1μF,16V
C2056		NCB31CK-104X	CAPACITOR 0.1μF,16V	C3140		NCB31CK-104X	CAPACITOR 0.1μF,16V
C2057		NCF21CZ-105X	CAPACITOR 1μF,16V	C3141		NCB31CK-104X	CAPACITOR 0.1μF,16V
C2058		NEA70JM-226X	E CAPACITOR 22μF,6.3V	C3142		NDC31HJ-8R0X	CAPACITOR 8pF,50V
C2059		NEA70JM-226X	E CAPACITOR 22μF,6.3V	C3143		NDC31HJ-8R0X	CAPACITOR 8pF,50V
C2060		NCB31CK-104X	CAPACITOR 0.1μF,16V	C3501		NCB31CK-104X	CAPACITOR 0.1μF,16V
C2061		NCF21CZ-105X	CAPACITOR 1μF,16V	C3502		NCB31CK-104X	CAPACITOR 0.1μF,16V
C2062		NEA70JM-226X	E CAPACITOR 22μF,6.3V	C3503		NCB31CK-104X	CAPACITOR 0.1μF,16V
C2101		NCB31CK-104X	CAPACITOR 0.1μF,16V	C3504		NEA70JM-226X	E CAPACITOR 22μF,6.3V
C2102		NDC31HJ-151X	CAPACITOR 150pF,50V	C3505		NEA70JM-107X	E CAPACITOR 100μF,6.3V
C2104		NCB31EK-473X	CAPACITOR 0.047μF,25V	C3506		NEA70JM-226X	E CAPACITOR 22μF,6.3V
C2105		NBE21AM-106X	T CAPACITOR 10μF,10V	C3507		NDC31HJ-220X	CAPACITOR 22pF,50V
C2106		NCF21CZ-105X	CAPACITOR 1μF,16V	C3508		NDC31HJ-220X	CAPACITOR 22pF,50V
C2107		NCB31CK-104X	CAPACITOR 0.1μF,16V	C3509		NCB31CK-104X	CAPACITOR 0.1μF,16V
C2108		NEA70JM-226X	E CAPACITOR 22μF,6.3V	C3510		NCB31CK-104X	CAPACITOR 0.1μF,16V
C2109		NEA70JM-226X	E CAPACITOR 22μF,6.3V	C3511		NCB31CK-104X	CAPACITOR 0.1μF,16V
C2110		NEA70JM-226X	E CAPACITOR 22μF,6.3V	C3512		NRSA63J-0R0X	MG RESISTOR 0Ω,1/16W

#	△ REF No.	PART No.	PART NAME, DESCRIPTION

S/P CONVERTER BOARD ASSEMBLY <87>			
PW1		PB10999C	S/P CONVERTER BOARD ASSY
IC1		CXA1227Q-V	IC
IC2		CXA1229AM	IC
IC3		MM1108XF	IC
Q1		IMX3	PAIR TRANSISTOR
Q3		IMX3	PAIR TRANSISTOR
Q4		IMX3	PAIR TRANSISTOR
Q5		2SD1819A/QRS/-X	TRANSISTOR
		or 2PC4081/R/-X	TRANSISTOR
		or 2SC4081/QRS/-X	TRANSISTOR
Q6		2SD1819A/QRS/-X	TRANSISTOR
		or 2SC4081/QRS/-X	TRANSISTOR
		or 2PC4081/R/-X	TRANSISTOR
Q7		2SB1218A/QR/-X	TRANSISTOR
		or 2SA1576A/QRS/-X	TRANSISTOR
		or 2PA1576/R/-X	TRANSISTOR
Q8		2SD1819A/QRS/-X	TRANSISTOR
		or 2PC4081/R/-X	TRANSISTOR
		or 2SC4081/QRS/-X	TRANSISTOR
Q9		2SD1819A/QRS/-X	TRANSISTOR
		or 2SC4081/QRS/-X	TRANSISTOR
		or 2PC4081/R/-X	TRANSISTOR
Q11		2SD1819A/QRS/-X	TRANSISTOR
		or 2PC4081/R/-X	TRANSISTOR
		or 2SC4081/QRS/-X	TRANSISTOR
Q12		2SD1819A/QRS/-X	TRANSISTOR
		or 2SC4081/QRS/-X	TRANSISTOR
		or 2PC4081/R/-X	TRANSISTOR
Q14		UN521E	TRANSISTOR
		or RN1309	TRANSISTOR
		or DTC144WU	TRANSISTOR
Q15		UN521E	TRANSISTOR
		or DTC144WU	TRANSISTOR
		or RN1309	TRANSISTOR
R1		NRSA02J-391X	MG RESISTOR 390Ω,1/10W
R2		NRSA02J-105X	MG RESISTOR 1MΩ,1/10W
R3		NRSA02J-223X	MG RESISTOR 22kΩ,1/10W
R4		NRSA02J-225X	MG RESISTOR 2.2MΩ,1/10W
R5		NRSA02J-242X	MG RESISTOR 2.4kΩ,1/10W
R6		NRSA02J-472X	MG RESISTOR 4.7kΩ,1/10W
R7		NRSA02J-242X	MG RESISTOR 2.4kΩ,1/10W
R8		NRSA02J-472X	MG RESISTOR 4.7kΩ,1/10W
R9		NRSA02J-223X	MG RESISTOR 22kΩ,1/10W
VR1		QVP0039-103Z	TRIM RESISTOR,FH SYNC ADJ.
VR2		QVP0039-683Z	TRIM RESISTOR,FH FREE RUN ADJ.
VR3		QVP0039-331Z	TRIM RESISTOR,R-Y LEVEL ADJ.
VR4		QVP0039-331Z	TRIM RESISTOR,B-Y LEVEL ADJ.
R10		NRSA02J-104X	MG RESISTOR 100kΩ,1/10W
R11		NRSA02J-473X	MG RESISTOR 47kΩ,1/10W
R12		NRSA02J-391X	MG RESISTOR 390Ω,1/10W
R13		NRSA02J-391X	MG RESISTOR 390Ω,1/10W
R14		NRSA02J-391X	MG RESISTOR 390Ω,1/10W
R15		NRSA02J-332X	MG RESISTOR 3.3kΩ,1/10W
R16		NRSA02J-101X	MG RESISTOR 100Ω,1/10W
R17		QRE141J-221Y	RESISTOR 220Ω,1/4W
R18		QRE141J-221Y	RESISTOR 220Ω,1/4W
R19		NRSA02J-271X	MG RESISTOR 270Ω,1/10W

#	△ REF No.	PART No.	PART NAME, DESCRIPTION
R20		NRSA02J-271X	MG RESISTOR 270Ω,1/10W
R21		NRSA02J-183X	MG RESISTOR 18kΩ,1/10W
R22		NRSA02J-223X	MG RESISTOR 22kΩ,1/10W
R23		NRSA02J-102X	MG RESISTOR 1kΩ,1/10W
R24		NRSA02J-102X	MG RESISTOR 1kΩ,1/10W
R25		NRSA02J-102X	MG RESISTOR 1kΩ,1/10W
R26		NRSA02J-102X	MG RESISTOR 1kΩ,1/10W
R27		NRSA02J-102X	MG RESISTOR 1kΩ,1/10W
R28		NRSA02J-102X	MG RESISTOR 1kΩ,1/10W
R31		NRVA02D-273X	CMF RESISTOR 27kΩ,1/10W
R32		NRSA02J-183X	MG RESISTOR 18kΩ,1/10W
R33		NRSA02J-223X	MG RESISTOR 22kΩ,1/10W
R34		NRSA02J-331X	MG RESISTOR 330Ω,1/10W
R35		NRSA02J-102X	MG RESISTOR 1kΩ,1/10W
R36		NRSA02J-103X	MG RESISTOR 10kΩ,1/10W
R37		NRSA02J-102X	MG RESISTOR 1kΩ,1/10W
R38		NRSA02J-153X	MG RESISTOR 15kΩ,1/10W
R39		NRSA02J-223X	MG RESISTOR 22kΩ,1/10W
R40		NRSA02J-122X	MG RESISTOR 1.2kΩ,1/10W
R41		NRSA02J-121X	MG RESISTOR 120Ω,1/10W
R42		NRSA02J-121X	MG RESISTOR 120Ω,1/10W
R43		NRSA02J-102X	MG RESISTOR 1kΩ,1/10W
R44		NRSA02J-102X	MG RESISTOR 1kΩ,1/10W
R45		NRSA02J-560X	MG RESISTOR 56Ω,1/10W
R46		NRSA02J-560X	MG RESISTOR 56Ω,1/10W
R47		NRSA02J-331X	MG RESISTOR 330Ω,1/10W
R48		NRSA02J-331X	MG RESISTOR 330Ω,1/10W
R49		NRSA02J-151X	MG RESISTOR 150Ω,1/10W
R50		NRSA02J-151X	MG RESISTOR 150Ω,1/10W
R51		NRSA02J-332X	MG RESISTOR 3.3kΩ,1/10W
R52		NRSA02J-332X	MG RESISTOR 3.3kΩ,1/10W
R53		NRSA02J-332X	MG RESISTOR 3.3kΩ,1/10W
R54		NRSA02J-332X	MG RESISTOR 3.3kΩ,1/10W
R55		NRSA02J-182X	MG RESISTOR 1.8kΩ,1/10W
R56		NRSA02J-182X	MG RESISTOR 1.8kΩ,1/10W
R57		NRSA02J-102X	MG RESISTOR 1kΩ,1/10W
R58		NRSA02J-102X	MG RESISTOR 1kΩ,1/10W
R59		NRSA02J-911X	MG RESISTOR 910Ω,1/10W
R60		NRSA02J-152X	MG RESISTOR 1.5kΩ,1/10W
R71		NRSA02J-561X	MG RESISTOR 560Ω,1/10W
R72		NRSA02J-334X	MG RESISTOR 330kΩ,1/10W
R74		NRVA02D-104X	CMF RESISTOR 100kΩ,1/10W
R75		NRSA02J-823X	MG RESISTOR 82kΩ,1/10W
R76		NRSA02J-122X	MG RESISTOR 1.2kΩ,1/10W
R77		NRSA02J-103X	MG RESISTOR 10kΩ,1/10W
R78		NRSA02J-103X	MG RESISTOR 10kΩ,1/10W
R79		NRSA02J-0R0X	MG RESISTOR 0Ω,1/10W
R80		NRSA02J-103X	MG RESISTOR 10kΩ,1/10W
B102		NRSA02J-0R0X	MG RESISTOR 0Ω,1/10W
B103		NRSA02J-0R0X	MG RESISTOR 0Ω,1/10W
C1		NDC21HJ-101X	CAPACITOR 100pF,50V
C2		NDC21HJ-270X	CAPACITOR 27pF,50V
C3		NCB21HK-103X	CAPACITOR 0.01μF,50V
C4		NCB21HK-103X	CAPACITOR 0.01μF,50V
C6		NDC21HJ-221X	CAPACITOR 220pF,50V
C7		NDC21HJ-221X	CAPACITOR 220pF,50V
C9		NCB21HK-103X	CAPACITOR 0.01μF,50V
C10		NDC21HJ-102X	CAPACITOR 0.001μF,50V
C11		NCB21HJ-472X	CAPACITOR 0.0047μF,50V
C12		NCB21HK-103X	CAPACITOR 0.01μF,50V
C13		NDC21HJ-270X	CAPACITOR 27pF,50V

#	△	REF No.	PART No.	PART NAME, DESCRIPTION	#	△	REF No.	PART No.	PART NAME, DESCRIPTION
C14			NDC21HJ-101X	CAPACITOR	L8		QQL231J-8R2Y	COIL	8.2μH
C15			NCB21HK-103X	CAPACITOR	L10		PU48530-120J	COIL	12μH
C16			NCB21HK-103X	CAPACITOR	L11		PU48530-120J	COIL	12μH
C17			NCB21HK-103X	CAPACITOR	L12		PU48530-120J	COIL	12μH
C18			NCB21HK-103X	CAPACITOR	X1		PEVB0550	CRYSTAL RESONATOR	
C19			NDC21HJ-101X	CAPACITOR	FL1		PELN1205	LC TRAP	
C20			NCB21HK-103X	CAPACITOR	FL2		PU60904-2	DELAY LINE	
C21			NDC21HJ-100X	CAPACITOR	FL3		PELN1207	LOW PASS FILTER	
C22			NDC21HJ-100X	CAPACITOR	FL4		PELN1207	LOW PASS FILTER	
C24			NDC21HJ-220X	CAPACITOR	FL5		PELN1225	BAND PASS FILTER	
C25			NDC21HJ-101X	CAPACITOR	SD1		PQ21952	SHIELD FRAME	
C26			NDC21HJ-101X	CAPACITOR	CN1		QGF1208F1-08	FPC CONNECTOR,(9-16)MAIN	
C31			QEKJ1CM-106	E CAPACITOR					
C32			QEKJ1CM-106	E CAPACITOR					
C33			QEKJ1CM-106	E CAPACITOR					
C34			QEKJ1HM-105	E CAPACITOR					
C35			QEKJ1HM-105	E CAPACITOR					
C36			QEKJ1HM-105	E CAPACITOR					
C37			QEKJ1CM-106	E CAPACITOR					
C38			QEKJ1CM-226	E CAPACITOR					
C39			QEKJ1CM-226	E CAPACITOR					
C40			QEKJ1HM-105	E CAPACITOR					
C41			NDC21HJ-330X	CAPACITOR					
C43			NDC21HJ-330X	CAPACITOR					
C44			NCB21HK-103X	CAPACITOR					
C45			NCB21HK-103X	CAPACITOR					
C46			NCB21HK-103X	CAPACITOR					
C47			NCB21HK-103X	CAPACITOR					
C48			NCB21HK-103X	CAPACITOR					
C49			NRSA02J-0R0X	MG RESISTOR					
C50			NCB21HK-103X	CAPACITOR					
C51			QEKJ1CM-107	E CAPACITOR					
C52			QEKJ1CM-106	E CAPACITOR					
C53			QEKJ1CM-106	E CAPACITOR					
C54			QEKJ1CM-107	E CAPACITOR					
C55			QEKJ1HM-105	E CAPACITOR					
C56			QEKJ1HM-105	E CAPACITOR					
C57			QEKJ1CM-476	E CAPACITOR					
C58			NDC21HJ-471X	CAPACITOR					
C60			NCB21HK-103X	CAPACITOR					
C61			QEKJ1CM-226	E CAPACITOR					
C62			QEKJ1CM-226	E CAPACITOR					
C63			QEKJ1CM-476	E CAPACITOR					
C64			QEKJ1CM-476	E CAPACITOR					
C65			NCB21HK-103X	CAPACITOR					
C66			NCB21HK-103X	CAPACITOR					
C67			QEKJ1CM-476	E CAPACITOR					
C68			NCB21HK-103X	CAPACITOR					
C69			NCB21HK-103X	CAPACITOR					
C70			NCB21EK-333X	CAPACITOR					
C71			NDC21HJ-561X	CAPACITOR					
C72			QEKJ1HM-335	E CAPACITOR					
C73			NDC21HJ-221X	CAPACITOR					
C74			NCB21HK-102X	CAPACITOR					
C75			NCB21HK-392X	CAPACITOR					
C76			NCB21EK-333X	CAPACITOR					
L1			QQL231J-120Y	COIL					12μH
L2			PELN1206	COIL					47μH
L5			PELN1206	COIL					47μH
L6			QQL231J-120Y	COIL					12μH
L7			QQL231J-8R2Y	COIL					8.2μH